

iQ500, Built-in double oven
MB578G5S6B



A



Shorten your cooking time thanks to fast preheat, coolStart and activeClean. And remote control your oven from anywhere with Home Connect.

- ✓ fastPreheat – Heat the oven quickly. coolStart – Eliminate preheating for frozen foods.
- ✓ activeClean® – The automatic, self-cleaning oven system.
- ✓ Home Connect – Experience the intelligent kitchen via app.
- ✓ cookControl30: automatic programs ensure best results.
- ✓ lightControl: intuitive operation thanks to the illuminated dial.

Built-in / Free-standing: Built-in
 Dimensions: 888 x 594 x 550 mm
 Dimensions of the packed product (HxWxD): ... 960 x 660 x 690 mm
 Control Panel Material: Glass
 Door Material: Glass
 Weight: 60.3 kg
 Usable volume of cavity: 71 l
 Heating Types: Full width grill, Hotair gentle, Hot Air, Conventional heat, Pizza setting, low temperature cooking, Deep-frozen food special, Hot air grilling
 Oven control: electronic
 Number of interior lights: 1
 EAN code: 4242003863923
 Energy efficiency rating: A
 Energy consumption per cycle conventional (2010/30/EC): 1.02 kWh/cycle
 Energy consumption per cycle forced air convection (2010/30/EC): 0.81 kWh/cycle
 Energy efficiency class (2010/30/EC) - cavity 2: B
 Energy consumption per cycle conventional - cavity 2 (2010/30/EC): 0.83 kWh/cycle
 Energy efficiency index (2010/30/EC): 95.3 %
 Energy efficiency index cavity 2 (2010/30/EC): 120.3 %
 Connection Rating: 6300 W
 Fuse protection: 32 A
 Nominal power: 220-240 V
 Frequency: 50 Hz
 Plug type: no plug (electrical connection by electrician), fixed connection (electrical connection by electrician)
 Included accessories cavity 1: 3 x combination grid, 1 x universal pan



HZ532010 Universal pan, non-stick ceramic coated, HZ538000 varioClip rail, HZ617000 Pizza pan, enamelled, HZ629070 Air Fry & Grill tray, HZ631070 Baking tray, enamelled, HZ632070 Multipurpose pan, enamelled, HZ634000 Baking and roasting grid (standard), HZ638000 Full ext rails, level independent, HZ664000 Baking and roasting grid (steam), HZ915003 Glass roasting dish, 5,4 L, HZ327000 Baking stone, HZ32WA00 Wireless food thermometer, HZ531010 Baking tray, non-stick ceramic coated

iQ500, Built-in double oven MB578G5S6B

Features

- Built-in double oven with 8 main functions, 8 main functions heating methods: 3D hot air, conventional top & bottom heating, hot air grilling, full width grill, Pizza setting, coolStart, low temperature cooking, Hotair gentle
- Temperature range 30 °C - 275 °C
- Cavity volume: 71 litres

Level independent telescopic rails

- 5 shelf positions in oven
- 1 varioClip rail, Stop function

Design

- lightControl: intuitive operation thanks to the illuminated dials
- Stainless steel control dial, lightControl: intuitive operation thanks to the illuminated dials, round
- Cavity inner surface: enamel anthracite

Cleaning

- activeClean
- Full glass inner door

Programmes/functions

- SE52D
- Electronic oven clock timer
- Digital temperature display with proposal
- Heating-up indicator cookControl Automatic start Temperature probe
- cookControl, 30
- Drop down oven door, softClose, softOpen
- Bar handle
- Automatic programmes
- roastingSensor
- Fast preheat
- coolStart
- Interior halogen light, Light on/off when door opened/closed
- Integral cooling fan
- WLAN - Home connect enabled

Accessories

- 3 x combination grid, 1 x universal pan

Features

- Maximum door temperature 30 °C
- Electronic door lock
- Control panel lock Automatic safety switch off Residual heat indicator Door contact switch

Technical information

- Nominal voltage: 220 - 240 V
- Total connected load electric: 6.3 KW
- Energy efficiency rating (acc. EU Nr. 65/2014): A
- Energy consumption per cycle in conventional mode:1.02 kWh
- Energy consumption per cycle in fan-forced convection mode:0.81 kWh
- Number of cavities: Main cavity Heat source: electrical Cavity

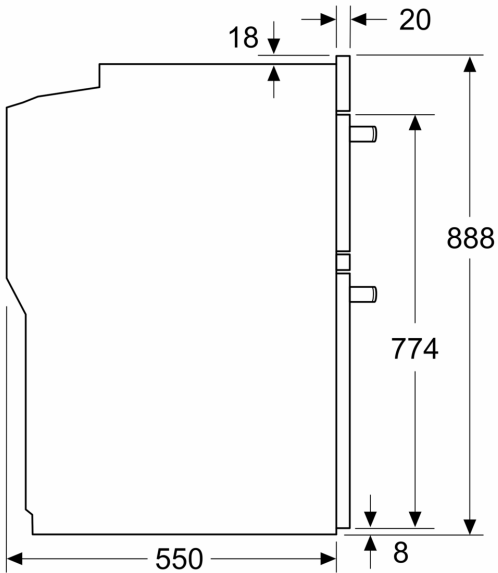
volume:71 litres

Performance/technical information

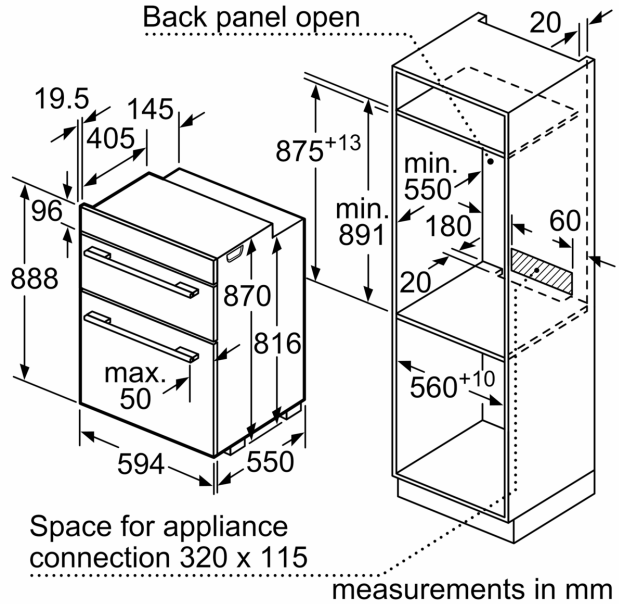
- Appliance dimension (hxwx): 888 mm x 594 mm x 550 mm
- Niche dimension (hxwx): 875 mm - 888 mm x 560 mm - 568 mm x 550 mm
- Please refer to the dimensions provided in the installation manual
- We recommend you to choose complementary products within IQ500, in order to assure an optimal design combination of your Built-In appliances.

iQ500, Built-in double oven
MB578G5S6B

measurements in mm



Back panel open



Space for appliance connection 320 x 115

measurements in mm