

Freestanding Appliances

2014/2015

Laundry made easy

How to cut down and use half as much water to wash your clothes.

Discover how on p8

Save water every load

Dishwashers that use only 6 litres of water.

Find out how on p32

Stay chilled

Keep your cool when the electric bill arrives. Fridges that cost 6p per day to run.

Learn more on p50



BOSCH

Invented for life

Who are Bosch?

Meet Karl... ...the Bosch Engineer

Karl has devoted his working life to Bosch and has helped us design new products, develop new technologies and ensure that feedback from customers continues to help shape our products of the future.

His detailed knowledge of our products and long experience can now, for the first time, be accessed by customers who are looking to purchase a new appliance.

In each section throughout this brochure – home laundry, dishwashers and refrigeration – **Karl has written a useful Q&A guide that identifies the most important factors you should consider when purchasing a new appliance.**



“I have always acted according to the principle that it is better to lose money than trust. The integrity of my promises, the belief in the value of my products and in my word of honour have always had a higher priority to me than a transitory profit.”

Robert Bosch, 1921

For over 125 years, the Bosch name has been synonymous with engineering excellence. Our home appliances are renowned for their quality, reliability and performance which derives from our inherent, unflagging commitment and the painstaking thoroughness with which every unit is made. As you would expect from German engineering, there are no gimmicks or frills with our products – just pure, clean lines and beautiful, functional simplicity that will enhance any kitchen.

For the fourth year running, **Bosch has received a prestigious Which? Award – Best Home Appliance Brand for 2014.** Our success is the fifth time in six years that we have received a coveted Which? Award that independently recognises Bosch’s outstanding quality and customer experience. No other brand has won this accolade as many times and four years running is a record.

The values that shaped Robert Bosch’s vision for his new company in 1886 are the same principles that guide the business today; never lose the trust of your customers, look after your staff and partners and change things for the better. It’s what has kept Bosch at the forefront of the home appliance industry and what will keep it there in the future.

Bosch is a Superbrand – and that’s official! Over 1,200 brands were independently scored for quality, reliability and distinctiveness and Bosch came 11th overall. The result not only puts Bosch on the prestigious Superbrands list for 2014, but also endorses the brand’s reputation and provides additional reassurance when choosing Bosch.



Contents.

Customer service	02-03
Green Technology inside	04-05

Home Laundry **06-29**

Washing machines	06-15
Why choose Bosch?	09
Serie 8 i-DOS washing machine	12
Serie 6 washing machine	14

Tumble dryers	16-21
Why choose Bosch?	17
Serie 8 tumble dryer	20

Washer dryers	22-25
Why choose Bosch?	23
Serie 6 washer dryer	24
At a glance	26-29

Dishwashers **30-39**

Why choose Bosch?	33
Exxcel dishwasher	36
At a glance	38-39

Refrigeration **40-63**

Why choose Bosch?	43
Storage solutions	46
Logixx fridge freezer	48
Exxcel fridge freezer	50
Classixx Brita fridge freezer	52
At a glance	54-63

Small appliances **64-71**

Garment care	66-67
Floorcare	68-69
Kitchenware	70-71

Specifications	73-83
----------------	-------



Service you can depend on.

For help with your home appliance,
trust Bosch Customer Service.

Arrange an engineer visit.

Our appliances are manufactured to the highest standards, but if you do need a visit from an engineer we are here to help. We have teams of locally based engineers around the country – employed and trained by Bosch*. This gives them unrivalled expertise and knowledge of our appliances. We repair appliances both in and out of guarantee. All repairs are analysed in advance by a technical team so that the parts likely to be needed to complete the repair are sent to the engineer's van the night before the visit.

To arrange an engineer visit to your home please call:

0344 892 8979

Lines are open 24 hours.

You can also arrange an engineer visit online by visiting:

www.bosch-home.co.uk/bookonline

Product advice.

If you need help using programmes or features, or need assistance selecting a new Bosch appliance from our current range, our product advice team can help.

You can call us on **0344 892 8979** or visit:

www.bosch-home.co.uk for frequently asked questions and help videos.

Visit the Bosch online store.

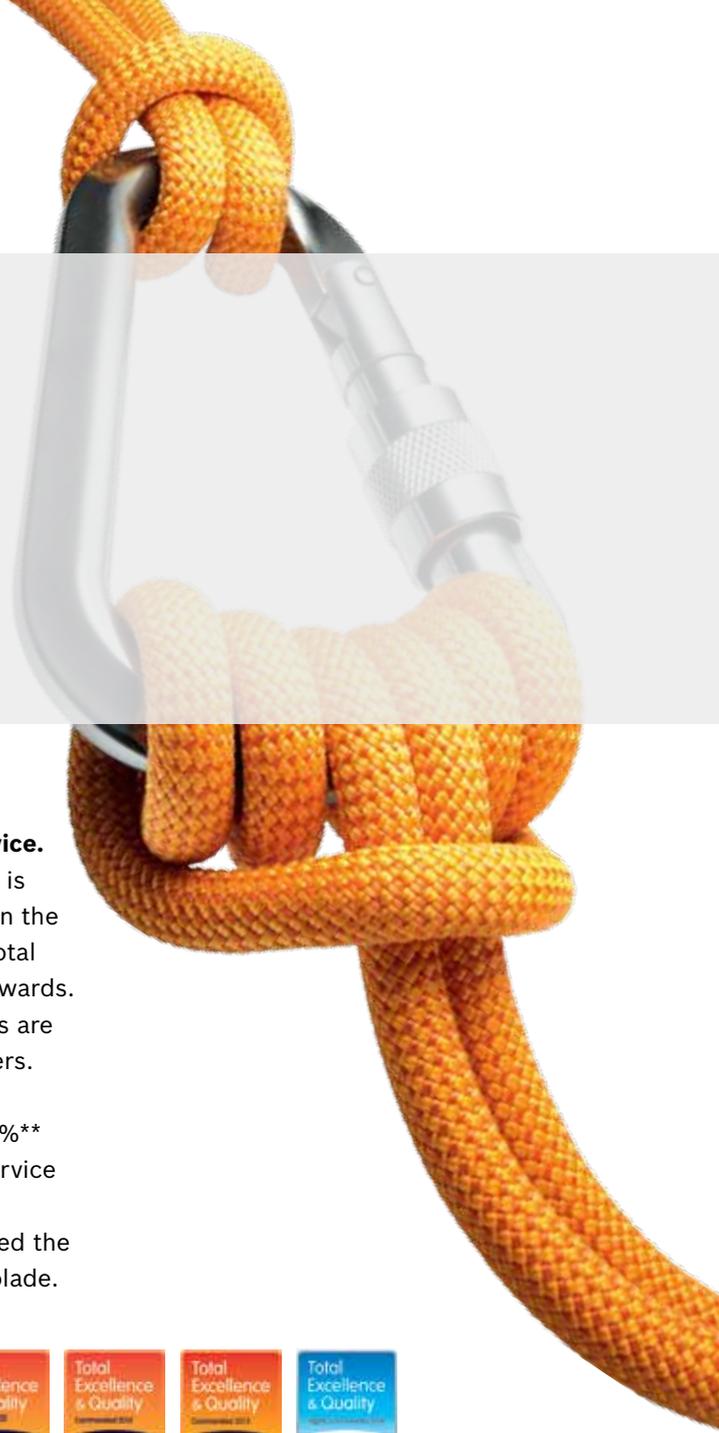
Find a comprehensive selection of accessories to help you get the most out of your appliance, along with our full range of replacement spare parts and cleaning and care products at the Bosch online store.

You can also purchase Tassimo hot drinks machines, vacuum cleaners, irons, steam stations, kettles, toasters and food preparation appliances directly from us online.



You can call us on **0344 892 8979** or visit:
www.bosch-home.co.uk/store

Calls will be answered 24 hours a day, seven days a week.
You can contact our specialist advisors Monday to Friday
8am to 8pm, Saturday 8am to 4pm and Sunday 9am to 3pm.



Accessories.

Many appliances can be enhanced with optional extras, such as telescopic rails for ovens or special cookware for hobs.

When buying a Bosch home appliance, you know you are purchasing a quality, reliable product. However many appliances are used daily, so need cleaning and maintaining to keep them looking great and operating at peak performance.

Every one of our cleaning and care products has been thoroughly tested and approved for safe and effective use on your Bosch home appliance.

Replacement spare parts.

We keep in stock a comprehensive range of replacement spare parts for our appliances for up to ten years. All our parts are original spare parts, not copies.

Highly commended service.

Bosch Customer Service is proud to be recognised in the Domestic and General Total Excellence and Quality awards. These prestigious awards are voted for by our customers.

In our latest results 94.6%** of customers said our service was excellent or good. This meant Bosch received the Highly Commended accolade.



* In some remote areas we may use an approved service partner where the repair process may vary.
** Domestic and General Survey 2014.
Calls are charged at the basic rate. Please check with your telephone service provider for exact charges.

Sustainably produced. Economical in use.

One of our guiding principles has been to design new technologies that save our customers time and effort, but also save energy and natural resources to minimise the impact of modern lifestyles on the environment.

You can easily identify our most sustainable and energy efficient products throughout this brochure as they will have a 'Green Technology inside' symbol displayed next to them. The difference that green technology can make in helping you live an easier, more convenient and more sustainable life can be seen in all of our appliances.



Washing machine – ActiveWater™

Bosch washing machines with ActiveWater™ technology measure exactly the right amount of water required for every load of laundry, so they never use a drop more than is needed.



*Annual consumption of £23.00 a year at an average energy cost of £0.154 per kWh.



Fridge freezer - A+++

Our most energy efficient fridge freezer has an A+++ energy efficiency rating, which means it costs less than 50p a week to run all year round*.



Dishwasher - AquaStar

AquaStar dishwashers use just 6 litres of water (that's less than a sink full) to clean 13 place settings for a three-course meal.

Introducing the Bosch home laundry range.

The latest appliances from Bosch make it even easier and more convenient to deliver what you really want – perfectly clean clothes.



Enjoy the quiet life.

We believe home appliances should be seen and not heard, that's why we've invented a range of high performance, ultra quiet products that won't disturb your life.

The sound of EcoSilence.

Our latest washing machines with **EcoSilence Drive™** generate a noise level of just 49 decibels – that's quieter than the sound of the sea*. The modern world is noisy enough, so it's good to know that Bosch technology can help make the home environment a little oasis of calm.

EcoSilence Drive™ is an advanced motor producing maximum efficiency, economy, durability and performance whilst operating at exceptionally low levels of noise. We're so confident that it will deliver a quiet revolution that it comes with a **10-year guarantee**.

*On average, the sound of the sea is 55 decibels. 49-52 decibels for the normal wash cycle; spin cycle 71 decibels.

Save time. Save energy. With VarioPerfect™ you decide.

The battle against rising average energy and water bills* starts here with VarioPerfect™ technology.

With every household in the UK facing increased living costs and a reduction in that most precious commodity – time – here at Bosch we have developed VarioPerfect™ technology for all our freestanding washing machines.

Get full loads clean in just one hour** by selecting **SpeedPerfect** or select **EcoPerfect** and laundry comes out brilliantly clean using up to 66% less energy.***



VarioPerfect™

Logixx Serie | 8 ●●●●●

Our premium range.

Cutting-edge design meets advanced technologies. Unique innovations combined with energy efficiency to deliver outstanding performance that also saves you time, water and money.



Exxcel Serie | 6 ●●●●○

Our essential range.

Broad range of features with wide-ranging specialist programmes deliver high performance and effortless convenience to enhance your lifestyle.



Classixx Serie | 4 ●●●●○

Our practical range.

Entry-level models that combine practical features and Bosch build quality in a consistent, value for money package.



*Infrastructure investment: the impact on consumer bills. National Audit Office Press Release, 13 November 2013.

**Compared to just over two and a half hours on Easycare 40°C wash programme.

***Compared to an EU label standard cotton 60°C programme.

Same laundry. Less water. Brilliant results.

ActiveWater™ can cut your water usage in half over a full year of washing compared to a 10-year-old appliance.

With all new homes being built with water meters in some parts of the UK*, and many existing households moving to metered water charges, reducing your water usage by such a significant amount doesn't just pay environmental dividends, it can also mean large savings on your utility bills.

Precise sensors on our ActiveWater™ models assess each load individually so only the exact amount of water is used. This means there's no longer a need for a half load programme. These models use 9,460 litres of water per year (based on average use). Older models use over 13,000 litres more for the same amount of laundry.

All the washing machines in our Serie 8 and Serie 6 ranges contain ActiveWater™ technology, making it easy to save water without compromising your lifestyle.



Why choose Bosch?



Top marks for energy efficiency.

Running costs are not the same on every washing machine. The most energy efficient models are rated A+++ for energy efficiency and the machines that use the most energy are rated A. It may be better to spend a little more on an energy efficient model now and save more money in the long run.



Brilliantly white every time.

AutoStain gets rid of grass, oil/butter, red wine, blood and other tough stains without the need to prewash or use fancy stain removers.

So whatever you or your kids get up to, the 4 special stain programmes from AutoStain (available on our new Serie 8 washing machine) will get your clothes back in pristine condition.



How do I choose the perfect washing machine?

You rely on your washing machine to keep pace with your family's laundry needs and to make sure your clothes always come out looking as good as the day you bought them, so it pays to spend a little time making sure you get the right one for your lifestyle. To help you choose the right washing machine for your home **Karl, the Bosch Engineer** has answered some of your most frequently asked questions.

Q: What size drum should I choose?

A: Machines with larger drums can take 7kg+ of washing. A typical 7kg load is made up of 35 men's shirts, or kingsize bed linen including 4 pillow cases. A 2kg load is typically made up of 10 men's shirts or the clothes you'd wear in a normal day. If you need to wash larger loads, consider a machine with at least a 7kg capacity.

Q: How can I get my washing done quickly?

A: No-one wants to spend more time doing the laundry. And for the really time-pressed, we've created the SpeedPerfect option, which reduces wash times by 60% – that means a 40°C cotton wash will be ready in an hour.

Q: Do I need all of these programmes?

A: If you've invested a lot of money in your clothes or household linens, you can easily avoid destroying or damaging them by choosing the machine with the most programmes to suit your budget. Hand wash, delicates, silk, woollens, sports or other specialist programmes give the best possible care to specific items.

Q: What detergent gets the best results?

A: All detergents – when used with correct dosage – deliver good results. Powders and gels give more flexibility to get dosage levels correct, whereas tablets and liquitabs are more convenient. Liquids dissolve quickly and give good results at lower temperatures.

Q: Do I need to sort the laundry?

A: You should always sort your laundry by colour and care type and try washing similar colours and fabrics together. Spending a small amount of time sorting your laundry will ensure you get better washing results.

Q: How do I know which spin speed to choose?

A: Many machines allow you to change the speed of the spin on certain programmes. Higher spin speeds mean more moisture is spun out of the load and your clothes dry faster – handy if you need them in a hurry.

Q: How do I know it's exactly right for my home?

A: Whether you or your family members have allergies, play lots of sport, wear delicate clothing or have other specific needs, you can usually find a machine that can cope with whatever you throw at it. Most machines now come with a child lock on the door and control panel to protect them from wandering little fingers.



i-DOS. More washes between fill-ups.

Now there is a washing machine that adds detergent for you. And you don't have to lift a finger.



Serie 8 washing machine WAW28660GB



- | | |
|---------------------|--|
| Spin | - 1400rpm |
| Key features | - EcoBar Plus function
<i>see how much energy and water you're saving</i> |
| | - i-DOS
<i>adds detergent automatically</i> |
| | - ActiveWater™
<i>use even less water</i> |
| | - AutoStain removal
<i>removes stains</i> |
| | - EcoSilence Drive™
<i>whisper quiet and reliable</i> |
| | - VarioPerfect™
<i>save energy or save time</i> |
| | - Time delay/Time remaining
<i>flexible washing</i> |





Add detergent once for around 20 washes and i-DOS doses each wash precisely every time.

Fully automatic.

For a normal wash, simply select the programme and the washing machine will do the rest for you. Sensors weigh the load, detect how dirty it is and then dose the detergent with millilitre precision. It even determines the length of the wash cycle and calculates the number of rinse and spin cycles. Perfectly clean laundry guaranteed for every load, all with minimum effort from you. Of course not all washes are “normal”, which is why there is a wide choice of other programmes that wash everything from delicates to woollens.

Even more savings.

i-DOS doses each load with millilitre precision, which not only delivers outstanding results but a host of savings compared to manual dosing. Up to 11 litres of detergent and 7,000 of litres of water per year can be saved by eliminating overdosing and extra rinsing. It also cuts average cycle time by 14 minutes.

Manual programmes.

If you have a special or an unusual wash and need to override i-DOS, you can use the third compartment for the detergent. This is ideal for a quick freshen up, for special wool or delicates, or if you want to use powder.

Raising the bar in energy-efficiency.

Not only do our washing machines achieve great results for energy efficiency but now they can also show you how much you are saving. New for 2014, the intelligent **EcoBar Plus** function does the thinking so you don't have to. **EcoBar Plus** indicates five possible levels of energy and water consumption, depending on the programme or option you have selected for your laundry. The less LEDs illuminated, the more resource you are saving.

Save water. Save energy. With every load.

Boasting a better than A+++ energy rating and ActiveWater™ technology, this washing machine delivers an outstanding performance whilst saving water and electricity.



Serie 6 washing machine WAT28460GB



Spin	- 1400rpm
Key features	<ul style="list-style-type: none"> - EcoBar <i>see how much energy you're saving</i> - ActiveWater™ <i>use even less water</i> - EcoSilence Drive™ <i>whisper quiet and reliable</i> - VarioPerfect™ <i>save energy or save time</i> - Large LED display <i>stay in control</i>



Revolutionary ActiveWater™ guarantees that only the exact amount of water is used for every load, and never a drop too much.

See the energy you're saving.

The stylish LED display now has an **EcoBar** function that shows you five different levels of energy usage for your chosen cycle. So now you don't have to think twice about saving energy. Your washing machine does it for you.

Whisper quiet washing.

Now introducing the revolutionary **EcoSilence Drive™** to the Serie 6 range. Quieter, faster and even more powerful, this brushless motor is our most energy efficient and long-lasting motor yet. We're so confident that we've given you a 10 year guarantee on it.

Night-night, sleep tight.

Make the most of your night time tariffs with the new **NightWash** programme. Running quieter than usual, this cycle won't keep you up and lets you wake up in the morning to perfectly fresh, clean clothes.

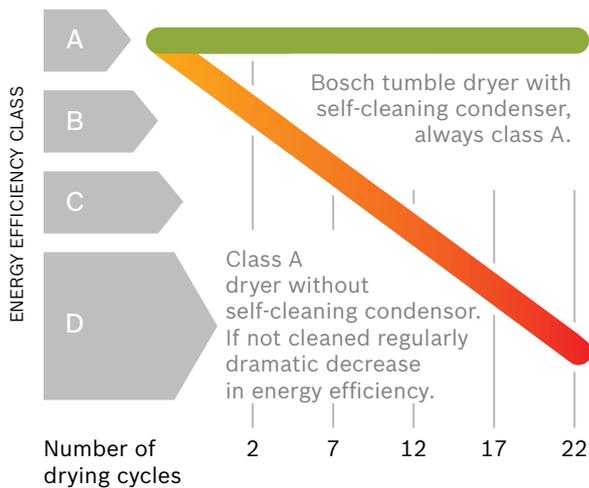


How to dry your laundry for the price of a coffee.

Our groundbreaking heat pump technology enables our Serie 8 tumble dryers to use less than half the energy of a standard tumble dryer that has an A energy rating. Incredibly, this means it costs less than £3 per month* to run. That's a month's laundry dried for about the price of a cup of coffee.

Our heat pump tumble dryers are so energy efficient that they have been awarded an A++ energy rating. What's more, they maintain that rating because they automatically clean out the excess lint and fluff that build up inside the condenser up to 4 times during a drying cycle. This is handy when other condenser tumble dryers on the market need to be manually cleaned after every 3 cycles. It saves you a job and you can have peace of mind because your tumble dryer will remain as energy efficient as the day you bought it, for its entire life.

Irregular cleaning of the heat exchanger leads to increased energy consumption.



*Based on 160 drying cycles per year using 212kWh at £0.154 per kWh.

Model shown is WTW863S1GB.



Why choose Bosch?



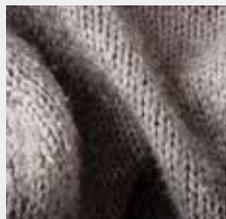
Dried to perfection.

Too dry? Still damp? You don't need to worry anymore because the **sensor-dry** tells you when your laundry is ready so you can get on with other things. No extra energy is wasted on unnecessary heat either.



Beat the clock.

For times when you need dry laundry sooner, **Super Quick 40** will dry a small load, which is roughly 10 business shirts, in 40 minutes. It's sensor controlled for great drying results.



Caring for your clothes.

Clothes can be damaged from overheating and overdrying, so advanced sensor electronics monitor your laundry carefully and automatically stop once the desired level of dryness has been reached.



A gentle touch.

Feel confident about drying delicate items, because **low heat** protects items by lengthening drying time and reducing the temperature.



Condenser

How do I choose the perfect tumble dryer?

Modern tumble dryers offers a fast, energy efficient and convenient way to help you keep on top of the household laundry. Not only are they surprisingly cheap to run, but they can help protect your clothing and save you the time and effort of outside line drying or having to dry clothes indoors on rainy days. To help you choose the right tumble dryer for your home **Karl, the Bosch Engineer** has answered some of your most frequently asked questions.

Q: Are tumble dryers expensive to run?

A: Modern tumble dryers are much more energy efficient than you think. We have developed an energy efficiency rating of A++ on some Bosch tumble dryers so they cost less than £3 a month to run. And thanks to its self-cleaning condenser, your Bosch tumble dryer maintains its A++ energy efficiency without you having to do a thing.

Q: Are they noisy and will they keep disturbing us?

A: With its clever spiral design on the sidewalls of the tumble dryer, the AntiVibration Design™ increases stability and reduces vibrations. With improved insulation and low noise shock absorbers, it causes even less disturbance and gives you a whisper quiet machine.

Q: Will my delicate clothes get damaged?

A: You can place delicate items in the tumble dryer with complete confidence. Our low heat programme protects them by lengthening the drying time and reducing the temperature.

Q: Don't tumble dryers account for 98% of all lost socks?

A: Not any more. Introducing the innovative new tumble dryer drum light from Bosch. Because many tumble dryers are located out of the way in darker corners of the home, the integral light in the unit illuminates the inside of the machine when you come to empty it. Now there is nowhere for those socks to hide.

Q: Is there a difference between line drying and tumble drying?

A: Laundry that is hung out to dry picks up dirt from the air as well as allergens, far worse than everyday wear since it has to hang outside for hours to dry. Tumble drying is not only more hygienic for your clothes, but also for your house as drying indoors can lead to mould on the walls. Protect your home and your laundry.

Q: Is there a tumble dryer which makes ironing easier – I heard they can crease my clothes?

A: Our dryers have a reduced ironing cycle at the end of every programme which gently separates and smoothes your laundry for the last 60 minutes. To really stop creasing, select the reduced ironing option which lasts 120 minutes for wrinkle-free laundry.

Q: What's the difference between vented and condenser dryers?

A: Vented tumble dryers work by venting the warm moist air from the drum through a pipe to the wall or an outside vent. Condensers pass the warm air into an easily accessible container which needs to be emptied. The key difference is that vented dryers need to be positioned near a wall so they can be vented out, whereas condenser dryers can be placed anywhere in your home.



Make saving energy effortless.

Drying your clothes doesn't have to cost the earth. Clever heat pump technology makes this one of the world's most ecological dryers by recycling the hot air for drying.



Serie 8 tumble dryer WTW87560GB



Type	
Key features	<ul style="list-style-type: none">- Self-cleaning condenser <i>cleans itself</i>- Heat Pump <i>use less energy</i>- Sensor drying <i>senses when laundry is dry</i>- Super Quick 40 <i>fast dry programme</i>- Low heat <i>for delicate items</i>- Sensitive drying <i>optimised design for extra care</i>- Time delay/time remaining <i>flexible drying</i>



Perfect pair.

Our matching Serie 8 tumble dryers and washing machines will sit perfectly together in your laundry space. Our modern designs are just as groundbreaking as the technology used inside.

Self-cleaning. So you don't have to.

To run at peak efficiency the tumble dryer's condenser needs to be kept clean. The ground-breaking automatic **self cleaning condenser** system uses water from the drying cycle to flush away lint and fluff, so you don't have to do it. That's one less job to worry about and it keeps the tumble dryer as energy efficient as the day you bought it.

More space for the clothes you love.

Now take clothes straight from the washing machine to the tumble dryer and get more dried at once. With a **9kg** capacity, the WTW87560GB can fit more in so now you won't have to leave clothes on the radiator or in the airing cupboard to dry.



Half the water consumption. Twice the laundry.

Few people realise just how much water a standard washer dryer will use during the drying process. The Bosch Serie 6 washer dryer changes this.

AirCondensation technology means this washer dryer can wash and dry almost double the amount of laundry with nearly half the amount of water needed in a standard washer dryer.

By using air to condense water from drying rather than pumping in cold water, the Serie 6 washer dryer uses just 57 litres of water to wash and dry a 4kg load. A standard washer dryer uses 100 litres to wash and dry a 2.5kg load. This means you can get twice the laundry done and get on with the more exciting things in life.



Why choose Bosch?



Forget about it.

Advanced sensors monitor your laundry and once it is perfectly dry, the **Autodry** will automatically end the programme. This saves energy being wasted and also means you don't have to keep checking your clothes to see how they are. When it's finished, you know they're dry.



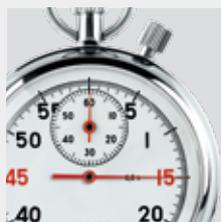
Energy saving without the effort.

Not only does the Logixx washer dryer use half the amount of water compared to a standard machine, it is also more energy efficient. And because it has a **self-cleaning condenser**, you don't need to lift a finger for it to maintain its peak efficiency.



A pick me up for your clothes.

Ideal for freshening up items, **steam refresh** removes odours and creasing, so you save time on your ironing and cut down on expensive trips to the dry cleaners.



Turbo charge your laundry.

For those times when you need your laundry really quickly, selecting the **Super Quick 15** programme washes a small load of lightly soiled laundry in just 15 minutes.



Water saving technology. That's a breath of fresh air.

The Serie 6 washer dryer not only uses half the water consumption of a standard washer dryer, but it washes and dries almost double the amount of laundry.



Serie 6 washer dryer WVH28422GB



Spin	- 1400rpm
Key features	- AirCondensation <i>use even less water</i>
	- ActiveWater™ <i>use even less water</i>
	- SelfCleaning Condenser <i>cleans itself</i>
	- EcoSilence Drive™ <i>whisper quiet and reliable</i>
	- Super Quick 15 <i>15 minute wash programme</i>
	- Time delay/Time remaining <i>flexible laundry</i>

Available from December 2014



Do more washing and use half as much water as a standard washer dryer.

A condenser that cleans itself.

The **self-cleaning condenser** system flushes away lint and fluff, so you don't have to do it. That's one less job to worry about and it keeps the washer dryer running at peak efficiency.

Save time.

Super Quick 15 turns around a full wash in just 15 minutes. Designed for a lightly soiled 2kg load (that's roughly one outfit or 10 business shirts), this cycle packs in a wash, two rinse cycles and improved rinse spinning, making it one of the shortest complete wash programmes of any machine on the market.

At your command.

The simple but effective **time delay** allows you to delay your laundry. You can programme a wash and dry cycle in one go, so it is ready for when you want it.



Freestanding washing machines.



**Automatic washing machine
WAW28790GB white**



Key Features

- 1400rpm
- VarioPerfect™
save energy or save time
- ActiveWater™
use even less water
- EcoSilence Drive™
whisper quiet and reliable
- AntiVibration design
for greater stability and quietness

**Serie 8 automatic washing machine
WAW28660GB**



Key Features

- 1400rpm
- i-DOS
adds detergent automatically
- VarioPerfect™
save energy or save time
- ActiveWater™
use even less water
- EcoSilence Drive™
whisper quiet and reliable

**Serie 8 automatic washing machine
WAW32560GB**



Key Features

- 1600rpm
- VarioPerfect™
save energy or save time
- ActiveWater™
use even less water
- AutoStain removal
removes stains
- EcoSilence Drive™
whisper quiet and reliable



**Serie 8 automatic washing machine
WAW28560GB**



Key Features

- 1400rpm
- VarioPerfect™
save energy or save time
- ActiveWater™
use even less water
- AutoStain removal
removes stains
- EcoSilence Drive™
whisper quiet and reliable

**Serie 6 automatic washing machine
WAT28460GB**



Key Features

- 1400rpm
- VarioPerfect™
save energy or save time
- ActiveWater™
use even less water
- EcoSilence Drive™
whisper quiet and reliable
- AntiVibration design
for greater stability and quietness

**Serie 6 automatic washing machine
WAT24460GB**



Key Features

- 1200rpm
- VarioPerfect™
save energy or save time
- ActiveWater™
use even less water
- EcoSilence Drive™
whisper quiet and reliable
- AntiVibration design
for greater stability and quietness

Freestanding washing machines and condenser dryers.



Serie 4 washing machine
WAQ283S1GB white



Key Features

- 1400rpm
- VarioPerfect™
save energy or save time
- ActiveWater™
use even less water
- EcoSilence Drive™
whisper quiet and reliable
- AntiVibration design
for greater stability and quietness



Serie 4 washing machine
WAQ2836SGB silver-inox



Key Features

- 1400rpm
- VarioPerfect™
save energy or save time
- ActiveWater™
use even less water
- EcoSilence Drive™
whisper quiet and reliable
- AntiVibration design
for greater stability and quietness



Serie 4 automatic washing machine
WAE28377GB



Key Features

- 1400rpm
- VarioPerfect™
save energy or save time



Serie 4 automatic washing machine
WAE24377GB



Key Features

- 1200rpm
- VarioPerfect™
save energy or save time



Condenser tumble dryer
WTY86790GB white



Key Features

- Heat pump
use less energy
- Self-cleaning condenser
cleans itself
- AntiVibration design
for greater stability and quietness



Serie 8 condenser tumble dryer
WTW87560GB



Key Features

- Heat pump
use less energy
- Self-cleaning condenser
cleans itself
- AntiVibration design
for greater stability and quietness
- Sensitive drying
optimised design for extra care

Freestanding condenser, vented and washer dryers.



Serie 6 condenser tumble dryer
WTW85490GB



Key Features

- Heat pump
use less energy
- Self-cleaning condenser
cleans itself
- AntiVibration design
for greater stability and quietness



Serie 6 condenser tumble dryer
WTG86400GB



Key Features

- Sensitive drying
optimised design for extra care
- AntiVibration design
for greater stability and quietness



Condenser tumble dryer
WTW863S1GB



Key Features

- Heat pump
use less energy
- Self-cleaning condenser
cleans itself
- AntiVibration design
for greater stability and quietness
- Super Quick 40
fast dry programme

While stocks last



Condenser tumble dryer
WTE863B2GB



Key Features

- Sensitive drying
optimised design for extra care
- AntiVibration design
for greater stability and quietness
- Super Quick 40
fast dry programme
- Reduced ironing option



Serie 4 condenser tumble dryer
WTE84301GB



Key Features

- Sensitive drying
optimised design for extra care
- AntiVibration design
for greater stability and quietness
- Super Quick 40
fast dry programme
- Reduced ironing option
- Time delay/time remaining
flexible drying



Serie 4 condenser tumble dryer
WTE84106GB



Key Features

- Sensitive drying
optimised design for extra care
- AntiVibration design
for greater stability and quietness
- Super Quick 40
fast dry programme
- Touch control buttons



Available from
December 2014



Vented tumble dryer WTA74200GB



Key Features

- Sensitive drying
optimised design for extra care
- AntiVibration design
for greater stability and quietness
- LED display
- Time delay/time remaining
flexible drying



Serie 6 automatic washer dryer WVH28422GB



Key Features

- Self-cleaning condenser
cleans itself
- EcoSilence Drive™
whisper quiet and reliable
- AutoDry
dries laundry exactly how you want
- AirCondensation
use even less water



Serie 6 washer dryer WVH28360GB



Key Features

- AutoDry
dries laundry exactly how you want
- Super Quick 15
15 minute wash programme
- Touch control buttons
- LED display
- Extra large drum



Serie 6 washer dryer WVH2836SGB silver



Key Features

- AutoDry
dries laundry exactly how you want
- Super Quick 15
15 minute wash programme
- Touch control buttons
- LED display
- Extra large drum

Introducing the Bosch dishwasher range.

Discover Bosch's innovative German engineering, such as Vario**Perfect**[™] technology and **EcoSilence Drive**[™].

Introducing our quietest ever dishhhh...washer.

Our **EcoSilence Drive**[™] dishwasher is quieter than a rainstorm.

With the trend for open plan living in many modern homes, it's great to know that the latest Bosch dishwasher is one of the quietest on the market which means it will never disturb you when entertaining or relaxing. Producing just 38 decibels, it is quieter than a rainstorm – which can be as loud as 48 decibels.

Our **EcoSilence Drive**[™] is an advanced motor producing maximum efficiency, economy, durability and performance whilst operating at exceptionally low levels of noise.



Model shown: SMS69L32GB

Two options, one result. Perfectly clean dishes.

With Bosch's Vario**Perfect**™ technology, you choose when you want to save time or save energy.

With average household utility bills set to rise for the next 15 years* and modern lifestyles leaving us all with less and less time, we developed Vario**Perfect**™ technology to put you back in control.

Save energy by choosing **Eco50** which cleans full loads using up to 33% less energy.** When you need to save time, select **VarioSpeed** which gets all your dishes perfectly clean in just 90 minutes – that's up to 66% quicker than a standard wash programme.



Logixx Serie | 8 ●●●●●

Our premium range.

Cutting-edge design meets advanced technologies. Exceptionally quiet with additional storage flexibility and versatile programming. Delivers optimum cleaning performance that is both energy and water efficient.

The new Serie 8 dishwasher takes our premium range to a new level, standing out from the crowd with cutting-edge features and extras such as **Zeolith** drying.



Exxcel ●●●●○

Our essential range.

Advanced technology with energy and water saving features ensure you save time, money and resources.



Classixx ●●●●○

Our practical range.

Entry-level models that combine practical features and Bosch build quality in a consistent, value for money package.



*Infrastructure investment: the impact on consumer bills. National Audit Office Press Release, 13 November 2013.

**Energy consumption 299kWh on Eco50 programme compared to 448kWh on Auto 65-75 programme on SMS69L32GB.

Save water every load.

It takes just 6 litres* of water for our AquaStar dishwashers to clean 13 place settings for a three-course meal**. That's less water than it takes to fill a standard-sized kitchen sink.

The water saving is all down to ActiveWater technology, which makes water work harder. Clean rinse water is recycled into the main wash cycle, and water is filtered back into the wash cycle even faster so less of it is needed.

AquaStar dishwashers are available in our Exxcel range and as well as saving water, their A++ rating will save you money on your energy bills too. A solution that uses little energy and water to make life easier. It's no wonder dishwashers are becoming a must have in the kitchen.



Why choose Bosch?



Zero to clean in 20 minutes.

Make sure you keep up with large parties or family gatherings, and keep clean glasses, crockery or dishes flowing as quickly as the conversation. **TurboSpeed** gets partyware clean in just 20 minutes*, and dried in a further 10 when you select the Extra Dry option.



Easy loading.

Foldable racks allow the dishwasher to be adapted to any load, whilst still securing everything in place. The adjustable **Rackmatic™** system allows the upper basket to be moved up and down to fit more in the top or bottom basket as required.



10-year anti-rust warranty

Our appliances are made from top quality materials and in addition to our standard appliance warranty, we provide a **free of charge warranty** against rusting-through of the dishwasher's inner cavity.



* 6 litre water consumption on standard Economy 50°C programme.

** Three-course meal as defined by dinner, soup and dessert plate, cup and saucer, glass, knife, fork, soup, tea and dessert spoons for each place setting as well as 1 serving plate, 2 serving bowls, 2 serving spoons, 1 serving fork and 1 sauce spoon.

† Initial pre-heat time of 25 minutes required, then can be used again and again.

How do I choose the right dishwasher for me?

Dishwashers save you the chore of washing-up by hand, and also help keep your kitchen looking cleaner and clutter free. With a wide range of full-size, slimline and compact models to choose from, Bosch offers you a dishwasher to suit your home. To help you choose the right dishwasher for your home **Karl, the Bosch Engineer** has answered some of your most frequently asked questions.

Q: Which is the best cleaning method – by hand or in a dishwasher?

A: Tap water used for hand washing is generally not a very high temperature, and washing up liquid is relatively mild because both come into contact with your skin. Dishwashers, on the other hand, heat water up to over 70°C which is more effective at removing bacteria, and dishwasher detergent contains different ingredients that target stains and food residues. Some of our dishwashers also have a Hygiene option, which uses a longer, hotter, final rinse for chopping and cooking utensils. In short, you'll get better results with less effort from a dishwasher than from handwashing.

Q: Do I need to stack the dishwasher in a certain way to get the best results?

A: To get the best results, we recommend larger dishes and tall items go in the bottom rack with their dirty surfaces facing the centre and any openings facing down. The top rack should be reserved for smaller items, such as cups or glasses, or those that are less dirty. The top basket can be adjusted when fully loaded to create extra space if needed for taller or bigger items in the bottom rack. The racks that keep plates securely in place can also be folded down so you can accommodate larger items or pans.

Q: How much space do I need for a dishwasher?

A: The smallest models are our compact dishwashers. These are not much bigger than a microwave and can sit on a worktop or shelf. We also have a range of slimline dishwashers which are the same height and depth as full size models, but at 45cm across they are just two-thirds of the width and perfect for slotting into narrow spaces. Finally, we have our standard size models with the widest range of water and energy saving features.



Q: Which size is best for me?

A: If you use a lot of dishes, for example if you have a large family or you regularly cook and entertain at home, you should consider a standard size dishwasher as these can easily hold between 12 and 14 three course dinner place settings. Their flexible settings also allow you to use them for larger pots and pans, as well as delicate items such as glassware. If you live on your own, or in a smaller household with limited space, then a compact or slimline model might cope with all your dishwashing needs.

Q: Will I have to wait long for the dishwasher to finish every time?

A: No. If you need your dishes quickly, you can have light loads clean within 20 minutes thanks to our TurboSpeed programme. A normal, full load can also be cleaned more quickly if you select the VarioSpeed or VarioSpeed Plus option. When you're not in a rush, you can save energy by selecting the Economy 50°C programme which uses less energy.

Bosch recommend Finish.

Bosch have tested and recommend using Finish dishwashing products. For an amazing shine and clean on all your dishes and cookware, Bosch recommend new Finish Quantum with PowerGel.



Super fast. Super efficient. Super choice.

Our dishwashers can clean a full load of dishes with just 6 litres of water (that wouldn't even fill a kitchen sink). That's a starter, main and dessert for 13 people perfectly clean.



Exxcel dishwasher SMS65E32GB



Key features

- VarioFlex Plus baskets
flexible loading
- TurboSpeed
20 minute washes
- 44 decibels*
EcoSilence drive™
- 6 programmes
a wash for every load
- VarioSpeed
faster wash times

*dB (re 1pW)



Never run out of glasses and dishes again when it's your turn to entertain.

Whisper quiet.

Ultra quiet, this dishwasher won't disturb you or your family so you can run it whenever you want.

Get your dishes done quickly.

Never run out of glasses and dishes again when it's your turn to entertain when you use the **TurboSpeed** programme. It washes lightly soiled items like cups, glasses and dishes in just 20 minutes so you can get back to the party.

2 washes in 1.

Delivering an intensive 70°C wash on the bottom basket whilst the top basket carries on as normal, the **Intensive zone option** will clean baked on pots and pans, glasses and dishes at the same time. There's no need to wash 2 loads or to slip on the rubber gloves and wash half up by hand.



At a glance | Freestanding dishwashers.



Serie 8 60cm Dishwasher
SMS88TW01G white



Key Features

- 8 Programmes
- VarioFlexPro baskets
flexible loading
- VarioSpeed Plus
faster wash times
- ActiveWater™
use even less water
- Zeolith drying
low energy



Logixx 60cm dishwasher
SMS69L32GB white



Key Features

- 6 Programmes
- VarioFlexPlus baskets
flexible loading
- VarioSpeed Plus
faster wash times
- ActiveWater™
use even less water
- EcoSilence Drive™
only 38 decibels

Exxcel 60cm dishwasher
SMS58E32GB white



Key Features

- 5 Programmes
- Varioflex baskets
flexible loading
- VarioSpeed
faster wash times
- ActiveWater™
use even less water



Exxcel 60cm dishwasher
SMS65E32GB white
SMS65E38GB silver inox



Key Features

- 6 Programmes
- VarioFlexPlus baskets
flexible loading
- VarioSpeed
faster wash times
- ActiveWater™
use even less water
- EcoSilence Drive™
only 44 decibels



Exxcel 60cm dishwasher
SMS58E22GB white



Key Features

- 5 Programmes
- VarioFlex baskets
flexible loading
- VarioSpeed
faster wash times
- ActiveWater™
use even less water



Classixx 60cm dishwasher
SMS40A08GB silver
SMS40C12GB white



Key Features

- 4 Programmes
- Quick Wash 45°C
- Vario baskets
flexible loading

Freestanding dishwashers.



Logixx 45cm dishwasher
SPS59L12GB



Key Features

- 5 Programmes
a wash for every load
- VarioFlexPlus baskets
flexible loading
- DuoPower spray arm
for targetted cleaning



Exxcel 45cm dishwasher
SPS53E12GB white
SPS53E18GB silver



Key Features

- 5 Programmes
a wash for every load
- VarioFlex Baskets
flexible loading
- DuoPower spray arm
for targetted cleaning



Classixx 45cm dishwasher
SPS40C12GB



Key Features

- 4 Programmes
a wash for every load
- EcoSilence Drive™
only 48 decibels



Classixx 60cm dishwasher
SMS40C02GB white
SMS50T06GB black



Key Features

- 4 Programmes
- Quick Wash 45°C
- VarioFlex baskets
flexible loading



Exxcel compact dishwasher
SKS62E12EU white



Key Features

- 6 Programmes
a wash for every load
- VarioSpeed
faster wash times
- ActiveWater™
use even less water

Classixx compact dishwasher
SKS40E02GB white



Key Features

- 4 Programmes
a wash for every load
- ActiveWater™
use even less water

Classixx compact dishwasher
SKS51E18EU silver
SKS51E01EU red
SKS51E16EU black



Key Features

- 5 Programmes
a wash for every load
- ActiveWater™
use even less water
- EcoSilence Drive™
only 48 decibels

Refrigeration.

Save more, waste less. Our new range of fridge freezers save you money thanks to their energy efficiency ratings and clever technology.

Logixx ●●●●●

Our premium range.

Cutting-edge design meets advanced technologies. All Logixx models are packed with energy efficient and labour saving features that save valuable time, effort and money – perfect for modern, busy households.

Exxcel ●●●●○

Our essential range.

Advanced technology ensures the Exxcel range combines energy efficient performance with convenient storage and superior food preservation.

Classixx ●●●○○

Our practical range.

Entry-level models that combine practical features and Bosch build quality in a consistent, value for money package.

To view our full refrigeration range, visit www.bosch-home.co.uk



Tall fridges



Tall freezers



Fridge freezers



American style fridge-freezers



Wine coolers



Chest freezers



Stay cool when your energy bill arrives.



Model shown is KGN36XI42.

Fridges and freezers need to be on 24 hours a day, 365 days a year. Luckily, our most energy efficient fridges have an A+++ rating, which means they only use half as much electricity as it takes to power an energy saving light bulb*.

We rely on our fridge freezers day in, day out. As a result, they can use up to 17% of the total electricity in your home. If your fridge freezer is over 15 years old, it could however be using up to three or four times more electricity than a new, more energy efficient model**. By replacing your old appliance with a new model that has an A+++ energy efficiency rating – which we have available even in our entry-level Classixx range – you could save up to £250 in five years***.

* Energy saving light bulb uses 157kwh, KSV36AW41G uses 75kwh per year.

** Source: www.sust-it.net.

***Based on an equivalent Bosch 15 year old model KGS3703 and 14p per kWh (source: energy.eu).

Why choose Bosch?



Another job off the list.

Never worry about having to defrost the freezer again. The **NoFrost** system prevents the build up of ice by automatically initiating the defrost operation only when it's needed. This also helps to maintain the appliance's energy efficiency.



Fresher for longer.

The **CrisperBox** preserves fruit and vegetables for longer, keeping them fresh and nutritious. If you can't get to the shops regularly, your food not only retains more of its freshness and health benefits but its built-in slider makes adjusting the humidity very simple.



Extra safe storage at the touch of a button.

Putting away the weekly shop once you get it home can cause fluctuations in temperature and make the rest of the food warmer. Activating the **SuperCool** or **SuperFreeze** function before you go shopping lowers the temperature for a short period so anything new put in the fridge or freezer is chilled or frozen quickly.



You'll never need to buy bottled water again.

Modern families drink on average 2.5 litres of filtered, bottled water each day. Tap water is cheaper and uses less packaging, so we combined the best of both worlds by introducing a **Brita filter** into our fridge freezer range. It has a 2.5 litre capacity which makes it quick and easy to enjoy filtered water at home any time.

Finding the right fridge freezer for me.

Making the right choice of fridge freezer is crucial as it is going to be the most important, and most used, appliance in your kitchen. As well as having sufficient space, you also need to make sure the appliance fits in with the way you will feed yourself, family and friends. To help you choose the right fridge freezer for your home **Karl, the Bosch Engineer** has answered some of your most frequently asked questions.

Q: What's the first thing I should consider?

A: The first thing you should consider is where you're going to put your fridge freezer and how much space you've got. An under-counter fridge would probably work best in a small or fitted kitchen. A larger space would allow you to consider a model with more capacity, such as an American-style fridge freezer, which can be freestanding so you can take it with you if you move. Large families or busy households might also consider a separate chest freezer, which can be housed in a garage or utility room if there is not enough space in the kitchen.

Q: There are lots of different models with different capacities. How do I know which is the right one for me?

A: You can make the decision easier by looking at how you currently live at home. If you live on your own, in a small household or tend to eat out more than at home, then a small fridge might be sufficient. If you buy a lot of frozen food products, or regularly cook and freeze a large amount of homemade food, a small fridge with an ice box is unlikely to deliver what you need. Space may dictate that you cannot have a tall appliance, so therefore look at choosing a separate under the counter fridge and freezer. Bigger households need larger capacity models, such as an American-style fridge freezer, to ensure that the weekly shop can be quickly, neatly and safely stored away.

Q: Should I pay much attention to energy efficiency ratings?

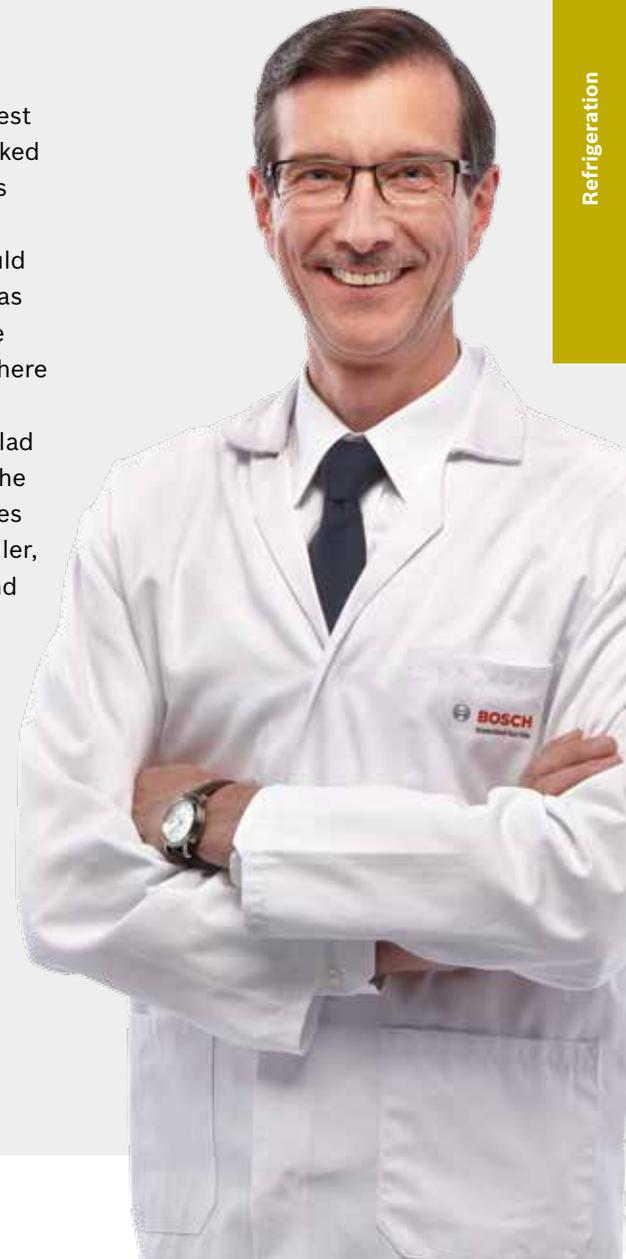
A: Yes. Whichever model you choose, it will be on all day, every day and will be constantly using electricity that you will be billed for. Our most energy efficient fridge freezer models are rated A+++ and can cost as little as £22 a year* in electricity charges. Compare that to a similarly-sized 10-year-old model which could cost as much as £74. And you don't need to choose the top-of-the-range models to benefit from A+++ energy efficiency. You'll find them across our Classixx, Exxcel and Logixx ranges.

Q: What features will help me keep my fridge/freezer neat and tidy – and allow me to easily access items when I need them?

A: Bosch fridge freezers are designed around the needs of modern households and families. For example, integral bottle racks stop bottles rattling around on shelves or in the door, and they don't take up a whole shelf either. Adjustable shelves and fully extendable drawers make it easy to move things up and down, and in and out, maximising the space to fit around the items you buy each week. There is also a BigBox in the freezer that can cope with large items such as the Christmas turkey, so you don't need to rearrange everything else in the freezer every time you buy something big.

Q: Does it matter where I store particular foods?

A: Yes. The top shelves are the best place for storing cheeses, cooked meats and fish. Middle shelves are ideal for dairy products as well as any leftovers. You should always put raw meats or fish, as well as other highly perishable foods, on the lower shelves where it's coolest. When it comes to the door, butters, jams and salad dressings are best stored on the upper rack, condiments, pickles and eggs in the middle and taller, heavier items such as milks and juices at the bottom.



The A-Z for your fridge.

It's estimated the average household throws out £480* worth of food a year (rising to £680* for a family with children). Ensuring your food stays fresher for longer stops you wasting money and making unnecessary trips to the shops. By creating a range of optimal storage environments in every fridge we make, it's easy to store your food in the right place, so it ends up being eaten or drunk rather than in the bin.



Top shelves.

The best place to store hard cheeses, ready meals, cured meat or fish products and drinks.



Lower shelves/ChillerBox.

This is the coldest section of the fridge and is ideal for highly perishable foods such as raw meat, meat products, poultry, fish, seafood and raw egg products. Look out for models with a ChillerBox. It's 3-4°C cooler – perfect for meat.



Upper door racks.

The highest temperature level in the fridge, just right for butter, margarine, jams, salad dressings and hard cheese.



Lower door rack.

Provides a strong and secure home for bottles and tall items that need to be stored upright.



Middle shelves.

Perfect for dairy products such as cream, yoghurts and soft cheese, as well as leftovers and opened canned goods.



Middle door rack.

Great for condiments and pickles. Eggs are kept safely in place by the built-in egg racks.



Refrigeration

Model shown is KGN36XI42.

Top marks for Bosch. Again.

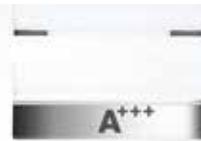
Combining advanced food preservation technologies with energy saving ideas, this fridge freezer delivers real savings and convenience.



Logixx fridge freezer KGN36XI42



Freezer type	- NoFrost
Key features	- CrisperBox <i>fresh fruit and vegetables</i>
	- ChillerBox <i>extra cool drawer for meat & fish</i>
	- MultiAirflow cooling <i>even cooling</i>
	- SuperFreeze, SuperCool <i>faster freezing, faster cooling</i>
	- In door electronic <i>precise temperature control</i>
	- LED light <i>perfect illumination</i>
	- Bottle rack <i>secures bottles</i>



MultiAirflow
NoFrost



This fridge freezer is extremely energy efficient and will cost less than £27 per year* in electricity to run.

Freeze energy costs.

Fridge freezers are plugged in 24 hours a day, 7 days a week, so it's especially important for them to be energy efficient. Boasting an impressive A+++ energy rating, this fridge freezer is extremely energy efficient and will cost less than £27 per year* in electricity to run.

Perfect, crisp, fresh food.

Preservation technology takes care of your food so it stays fresh and nutritious for longer. This means food doesn't get thrown away and there's fewer trips to the supermarket. The **ChillerBox** has a lower temperature than the rest of the fridge making it perfect for meat and fish, which are some of the most expensive items in the fridge. Fruit and vegetables will stay fresh in the **CrisperBox** which has a manual humidity controller to stop food drying out, and a rippled base for improved air circulation.

Stylish design.

Bringing style to the kitchen, this contemporary fridge freezer also features in-door electronics for precise temperature control. The interior is just as stylish as the outside, with metallic finishes, **LED lighting** for perfect illumination and a chrome bottle rack.

*Based on an annual consumption 172kWh at a cost of £0.154 per kWh.



Run this fridge freezer for 6p per day*.

This Exxcel fridge freezer is simple and practical, yet has the best of Bosch with a super-efficient A+++ energy rating and advanced preservation technology.



Exxcel fridge freezer KGE36BW41G



Freezer type Key features

- LowFrost
- CrisperBox
fresh fruit and vegetables
- ChillerBox
extra cool drawer for meat & fish
- SuperCool
faster cooling
- SuperFreeze
faster freezing
- Electronic temperature control
precise temperature control
- LED light
perfect illumination
- BigBox
freeze large, bulky items
- FlexiShelf
to accomodate taller items



This Exxel fridge freezer costs around 6p per day* in electricity to run.

Green thinking.

Our energy saving ideas aren't limited to models in the top of the range. This Classixx fridge freezer costs around 6p per day* in electricity to run.

Making food last longer.

Meat, fish and vegetables stay fresh and last longer in the specially designed compartments. The **ChillerBox** has a lower temperature than the rest of the fridge, perfect for meat, fish and extra cool drinks. The **CrisperBox** has a manual humidity slider to prevent food drying out, and a rippled base for improved air circulation, making it ideal for storing fruit and vegetables.

Keep cool.

Loading the fridge with new food can cause fluctuations in temperature and make the rest of the food warmer. Activating **SuperCool** reduces the temperature to prevent the food inside warming up and quickly cools new food.

*Based on an annual consumption 149kWh at a cost of £0.154 per kWh.



It's better with Brita.

Ideal for busy households, the Brita water filter makes it easy to access water.



Classixx Brita model KGW36XL30G



Freezer type	- LowFrost
Key features	- Brita water filter <i>fresh filtered water</i>
	- CrisperBox <i>fresh fruit and vegetables</i>
	- SuperFreeze <i>faster freezing</i>
	- Electronic temperature control <i>precise temperature control</i>
	- LED light <i>perfect illumination</i>
	- Bottle rack <i>secures bottles</i>
	- BigBox <i>freeze large, bulky items</i>



Help yourself to fresh, cool water any time.

Cool, filtered water any time

The **Brita water filter** has a 2.5 litre capacity and still leaves room for bottles and cans in the fridge. It couldn't be easier for families to help themselves to fresh, cool water.

Fresher food.

Complete with 37% more storage space, the **CrisperBox** preserves fruit and vegetables so that they stay fresh for longer. The manual humidity slider prevents food drying out and the rippled base improves air circulation. To make it even easier to access, the drawer slides all the way out so you can even reach items all the way at the back.

Faster freezing.

Loading the freezer with new food can cause fluctuations in temperature and make the rest of the food warmer. Activating **SuperFreeze** reduces the temperature to keep food that's already in the freezer frozen and freeze new food quickly and effectively. Food is protected even when the door is left open for longer periods.



At a glance | Freestanding refrigeration.



Logixx fridge freezer
KGN36XI42 stainless steel look



Key Features

- CrisperBox
fresh fruit and vegetables
- ChillerBox
extra cool drawer for meat & fish
- MultiAirflow cooling
even cooling
- SuperFreeze, SuperCool
faster freezing, faster cooling
- In door electronic
precise temperature control
- LED light
perfect illumination
- Dimensions
(H x W x D): 186 x 60 x 65



Logixx fridge freezer
KGN49AW24G white



Key Features

- CrisperBox
fresh fruit and vegetables
- ChillerBox
extra cool drawer for meat & fish
- MultiAirflow cooling
even cooling
- SuperFreeze, SuperCool
faster freezing, faster cooling
- In door electronic
precise temperature control
- LED light
perfect illumination
- Dimensions
(H x W x D): 200 x 70 x 64cm



Logixx fridge freezer
KGN39XC32 cast iron look
KGN39XB32 black
KGN39XW32G white



Key Features

- CrisperBox
fresh fruit and vegetables
- ChillerBox
extra cool drawer for meat & fish
- MultiAirflow cooling
even cooling
- SuperFreeze, SuperCool
faster freezing, faster cooling
- In door electronic
precise temperature control
- Dimensions
(H x W x D): 201 x 60 x 65cm



Logixx fridge freezer
KGN34XL32G stainless steel look
KGN34XW32G white



Key Features

- ChillerBox
extra cool drawer for meat & fish
- SuperFreeze
faster freezing
- LED light
perfect illumination
- Dimensions
(H x W x D): 186 x 60 x 65cm



Logixx fridge freezer
KGD36VI30G stainless steel look



Key Features

- CrisperBox
fresh fruit and vegetables
- ChillerBox
extra cool drawer for meat & fish
- MultiAirFlow
even cooling
- SuperFreeze
faster freezing
- LED light
perfect illumination
- Dimensions
(H x W x D): 186 x 60 x 65cm



Logixx fridge freezer
KGN36VW31G white



Key Features

- ChillerBox
extra cool drawer for meat & fish
- SuperFreeze
faster freezing
- LED light
perfect illumination
- Dimensions
(H x W x D): 186 x 60 x 65cm

Freestanding refrigeration.



Logixx fridge freezer
KGN34VL30G stainless steel look



Key Features

- CrisperBox
fresh fruit and vegetables
- ChillerBox
extra cool drawer for meat & fish
- SuperFreeze
faster freezing
- LED light
perfect illumination
- Dimensions
(H x W x D): 186 x 60 x 65cm

Logixx fridge freezer
KGN34VW30G white



Key Features

- CrisperBox
fresh fruit and vegetables
- ChillerBox
extra cool drawer for meat & fish
- SuperFreeze
faster freezing
- LED light
perfect illumination
- Dimensions
(H x W x D): 186 x 60 x 65cm

Logixx fridge freezer
KGN34VL20G white
KGN34VB20G black



Key Features

- CrisperBox
fresh fruit and vegetables
- SuperFreeze
faster freezing
- LED fridge light
perfect illumination
- Dimensions
(H x W x D): 185 x 60 x 65cm



Logixx fridge freezer
KGN34VW20G white



Key Features

- CrisperBox
fresh fruit and vegetables
- SuperFreeze
faster freezing
- LED fridge light
perfect illumination
- Dimensions
(H x W x D): 185 x 60 x 65cm

Logixx fridge freezer
KGN30VL20G stainless steel look
KGN30VW20G white



Key Features

- CrisperBox
fresh fruit and vegetables
- SuperFreeze
faster freezing
- LED fridge light
perfect illumination
- Dimensions
(H x W x D): 170 x 60 x 65cm

Exccel fridge freezer
KGE36BW41G white



Key Features

- CrisperBox
fresh fruit and vegetables
- ChillerBox
extra cool drawer for meat & fish
- Bright interior LED fridge light
perfect illumination
- Dimensions
(H x W x D): 186 x 60 x 65cm

Freestanding refrigeration.



Exxel fridge freezer
KGE49BW41G white



Key Features

- CrisperBox
fresh fruit and vegetables
- ChillerBox
extra cool drawer for meat & fish
- SuperFreeze
faster freezing
- LED light
perfect illumination
- Dimensions
(H x W x D): 201 x 70 x 65cm



Exxel fridge freezer
KGE49BI30G stainless steel look



Key Features

- CrisperBox
fresh fruit and vegetables
- ChillerBox
extra cool drawer for meat & fish
- SuperFreeze
faster freezing
- LED light
perfect illumination
- Dimensions
(H x W x D): 201 x 70 x 65cm



Exxel fridge freezer
KGE39BL40G stainless steel look



Key Features

- CrisperBox
fresh fruit and vegetables
- ChillerBox
extra cool drawer for meat & fish
- SuperFreeze
faster freezing
- LED light
perfect illumination
- Dimensions
(H x W x D): 201 x 60 x 65cm



Exxel fridge freezer
KGE39BW41G white



Key Features

- CrisperBox
fresh fruit and vegetables
- ChillerBox
extra cool drawer for meat & fish
- SuperFreeze
faster freezing
- LED light
perfect illumination
- Dimensions
(H x W x D): 201 x 60 x 65cm



Exxel fridge freezer
KGE36BW30G white



Key Features

- CrisperBox
fresh fruit and vegetables
- ChillerBox
extra cool drawer for meat & fish
- SuperFreeze
faster freezing
- LED light
perfect illumination
- Dimensions
(H x W x D): 186 x 60 x 65cm



Exxel fridge freezer
KGE36AL32G stainless steel look



Key Features

- CrisperBox
fresh fruit and vegetables
- ChillerBox
extra cool drawer for meat & fish
- SuperFreeze
faster freezing
- LED light
perfect illumination
- Dimensions
(H x W x D): 186 x 60 x 65cm

Freestanding refrigeration.



Classixx fridge freezer
KGV39VL31G stainless steel look



Key Features

- CrisperBox
fresh fruit and vegetables
- SuperFreeze
faster freezing
- LED light
perfect illumination
- Dimensions
(H x W x D): 201 x 60 x 65cm



Classixx fridge freezer
KGV39VW32G white



Key Features

- CrisperBox
fresh fruit and vegetables
- SuperFreeze
faster freezing
- LED fridge light
perfect illumination
- Dimensions
(H x W x D): 201 x 60 x 65cm



Classixx fridge freezer
KGV36VL32G stainless steel look
KGV36VW32G white



Key Features

- CrisperBox
fresh fruit and vegetables
- SuperFreeze
faster freezing
- LED fridge light
perfect illumination
- Dimensions
(H x W x D): 186 x 60 x 65cm



Classixx fridge freezer
KGV33VL31G stainless steel look



Key Features

- CrisperBox
fresh fruit and vegetables
- SuperFreeze
faster freezing
- LED light
perfect illumination
- Dimensions
(H x W x D): 176 x 60 x 65cm



Classixx fridge freezer
KGV33XW30G white



Key Features

- CrisperBox
fresh fruit and vegetables
- SuperFreeze
faster freezing
- LED light
perfect illumination
- Dimensions
(H x W x D): 176 x 60 x 65cm



Classixx fridge freezer
KGW36XL30G stainless steel look



Key Features

- Brita water filter
fresh filtered water
- CrisperBox
fresh fruit and vegetables
- SuperFreeze
faster freezing
- Electronic temperature control
precise temperature control
- Bottle rack
secures bottles
- BigBox
freeze large, bulky items
- LED fridge light
perfect illumination
- Dimensions
(H x W x D): 186 x 60 x 65cm

Freestanding refrigeration.



Classixx fridge freezer
KGV36VB32G black



Key Features

- CrisperBox
fresh fruit and vegetables
- SuperFreeze
faster freezing
- LED fridge light
perfect illumination
- Dimensions
(H x W x D): 186 x 60 x 65cm



Classixx fridge freezer
KGV36VD32S satin brown
KGV36VE32S stone grey
KGV36VH32S lime green



Key Features

- CrisperBox
fresh fruit and vegetables
- SuperFreeze
faster freezing
- LED fridge light
perfect illumination
- Dimensions
(H x W x D): 186 x 60 x 65cm



Logixx top freezer
KDN74AW20N white



Key Features

- CrisperBox
fresh fruit and vegetables
- ChillerBox
extra cool drawer for meat & fish
- MultiAirFlow
even cooling
- SuperFreeze
faster freezing
- LED light
perfect illumination
- Dimensions
(H x W x D): 177.3 x 85.8 x 73.4cm



Logixx top freezer
KDD74AL20N stainless steel look



Key Features

- CrisperBox
fresh fruit and vegetables
- ChillerBox
extra cool drawer for meat & fish
- MultiAirFlow
even cooling
- SuperFreeze
faster freezing
- LED light
perfect illumination
- Dimensions
(H x W x D): 177.3 x 85.8 x 73.4cm



Logixx top freezer
KDN64VL20N stainless steel look



Key Features

- CrisperBox
fresh fruit and vegetables
- ChillerBox
extra cool drawer for meat & fish
- MultiAirFlow
even cooling
- SuperFreeze
faster freezing
- LED light
perfect illumination
- Dimensions
(H x W x D): 177 x 76.8 x 73.2cm



Logixx American-style fridge freezer
KAN58A55GB black



Key Features

- CrisperBox
fresh fruit and vegetables
- Electronic control for fridge and freezer
- In-door ice and water dispenser
- Dimensions
(H x W x D): 180 x 90 x 67.45cm

Freestanding refrigeration.



Exxel American-style fridge freezer KAD62V40GB stainless steel look



Key Features

- CrisperBox
fresh fruit and vegetables
- Electronic control for fridge and freezer
- In-door ice and water dispenser
- Dimensions
(H x W x D): 175.6 x 91 x 72.5cm

Classixx American-style fridge freezer KAN62V41GB stainless steel look



Key Features

- CrisperBox
fresh fruit and vegetables
- Electronic control for fridge and freezer
- DayLight
bright illumination
- Dimensions
(H x W x D): 175.6 x 91 x 72.5cm

Logixx upright fridge KSV36AW41GB white



Key Features

- Hydrofresh drawer™
 fresher fruit and vegetables
- Electronic LED display
- Bright interior LED fridge light
perfect illumination
- Dimensions
(H x W x D): 186 x 60 x 65cm



Logixx upright fridge KSV36AW31G white



Key Features

- Hydrofresh drawer™
 fresher fruit and vegetables
- Electronic LED display
- Bright interior LED fridge light
perfect illumination
- Dimensions
(H x W x D): 186 x 60 x 65cm

Logixx upright freezer GSN36AW31G white



Key Features

- Easy twist ice box
- 2 x BigBox
freeze large, bulky items
- Bright interior LED freezer light
perfect illumination
- Dimensions
(H x W x D): 186 x 60 x 65cm

Logixx upright freezer GSN58AW30GB white



Key Features

- SuperFreeze
faster freezing
- BigBox
freeze large, bulky items
- Bright interior LED freezer light
perfect illumination
- Dimensions
(H x W x D): 191 x 70 x 78cm

Freestanding refrigeration.



Exccel upright fridge
KSV36VW30G white
KSV36VB30 black



Key Features

- CrisperBox
fresh fruit and vegetables
- LED electronic control
- Bright interior LED fridge light
perfect illumination
- Dimensions
(H x W x D): 186 x 60 x 65cm

Exccel upright freezer
GSN36VB30 black



Key Features

- SuperFreeze
faster freezing
- 2 x BigBox
freeze large, bulky items
- LED electronic control
- Dimensions
(H x W x D): 186 x 60 x 65cm

Exccel upright fridge
KSV33VW30G white



Key Features

- CrisperBox
fresh fruit and vegetables
- LED electronic control
- Bright interior LED fridge light
perfect illumination
- Dimensions
(H x W x D): 176 x 60 x 65cm



Exccel upright freezer
GSN36VW30G white



Key Features

- SuperFreeze
faster freezing
- 2 x BigBox
freeze large, bulky items
- LED electronic control
- Dimensions
(H x W x D): 186 x 60 x 65cm

Exccel upright fridge
KSV36VL30G stainless steel look



Key Features

- CrisperBox
fresh fruit and vegetables
- LED electronic control
- Bright interior LED fridge light
perfect illumination
- Dimensions
(H x W x D): 186 x 60 x 65cm

Exccel upright freezer
GSN36VL30G stainless steel look



Key Features

- SuperFreeze
faster freezing
- 2 x BigBox
freeze large, bulky items
- LED electronic control
- Dimensions
(H x W x D): 186 x 60 x 65cm

Freestanding refrigeration.



Exccel upright freezer
GSN33VW30G white



Key Features

- SuperFreeze
faster freezing
- BigBox
freeze large, bulky items
- LED electronic control
- Dimensions
(H x W x D): 176 x 60 x 65cm



Classixx upright fridge
KSV36NW30G white



Key Features

- CrisperBox
fresh fruit and vegetables
- LED electronic control
- Bright interior LED fridge light
perfect illumination
- Dimensions
(H x W x D): 186 x 60 x 65cm



Classixx upright freezer
GSV36VW30G white



Key Features

- SuperFreeze
faster freezing
- 2 x BigBox
freeze large, bulky items
- LED electronic control
- Dimensions
(H x W x D): 186 x 60 x 65cm



Classixx upright fridge
KSV29NW30G white



Key Features

- CrisperBox
fresh fruit and vegetables
- LED electronic control
- Bright interior LED fridge light
perfect illumination
- Dimensions
(H x W x D): 161 x 60 x 65cm



Classixx upright freezer
GSV29VW30G white



Key Features

- SuperFreeze
faster freezing
- BigBox
freeze large, bulky items
- LED electronic control
- Dimensions
(H x W x D): 161 x 60 x 65cm



Classixx upright fridge
GSV24VW30 white



Key Features

- SuperFreeze
faster freezing
- LED electronic control
- Dimensions
(H x W x D): 146 x 60 x 65cm

Freestanding refrigeration.



**Wine cabinet
KSW30V80GB**



Key Features

- Fits 120 wine bottles (0.75l)
- Electronic LED display
- Interior fridge light (1 x 15W)
- Dimensions
(H x W x D): 185 x 59.5 x 62cm



**Wine cabinet
KTW18V80GB**



Key Features

- Fits 43 wine bottles (0.75l)
- Electronic LED display
- Interior fridge light (1 x 15W)
- Dimensions
(H x W x D): 85 x 59.5 x 62cm



**Logixx chest freezer
GCM34AW20G white**



Key Features

- SuperFreeze
faster freezing
- Appliance lockable
- Interior freezer light (1 x 15W)
- Dimensions
(H x W x D): 91.6 x 140.5 x 74.3cm



**Logixx chest freezer
GCM28AW30G white**



Key Features

- SuperFreeze
faster freezing
- Appliance lockable
- Interior freezer light (1 x 15W)
- Dimensions
(H x W x D): 91.6 x 118 x 74.3cm



**Logixx chest freezer
GCM28AW20G white**



Key Features

- SuperFreeze
faster freezing
- Appliance lockable
- Interior freezer light (1 x 15W)
- Dimensions
(H x W x D): 91.6 x 118 x 74.3cm



**Logixx chest freezer
GCM24AW20G white**



Key Features

- SuperFreeze
faster freezing
- Appliance lockable
- Interior freezer light (1 x 15W)
- Dimensions
(H x W x D): 91.6 x 101 x 74.3cm



HydroFresh
select

HydroFresh
Fruit and Vegetables

Refrigeration

Small and perfectly formed.

Our award-winning range of appliances isn't just restricted to large models. We also design and engineer high-quality vacuum cleaners, irons, steam generators, drinks machines, kettles, toasters and food preparation appliances. As you would expect from Bosch, they are packed with innovative technology and deliver the same levels of performance, build quality and reliability as our large appliances.





Small appliances

Models shown are:
Iron TDA5070GB
Food processor MCM68861GB
Bagless vacuum cleaner BGS55IL2GB.

Not just any old iron.

As you would expect from a top-of-the-range model, a Bosch iron is packed with labour-saving features. And the ergonomic design means it's not just more comfortable to use, but also doing the ironing is an effortless task.



Iron TDA5070GB



Key features

- Built in Anti'Calc system
- Huge 200g/min steam shot and 50g/min steam output
- CeraniumGlissée ceramic soleplate
- Ergonomic design and precision tip

Glide through your ironing.

A powerful 3050W, Advanced Steam System with huge 200g/min steam shot smooths out any crease in an instant and means tackling your ironing pile has never been easier.

Designed with comfort in mind.

The soft touch handle with convenient thumb rest makes ironing both quick and comfortable. The ergonomically shaped big buttons ensure the iron does the hard work, not you.



The new steam revolution.

Our revolutionary steam generators don't just look fantastic – they are some of the most powerful in the world, allowing you to speed through even the largest, toughest ironing piles.



Steam generator TDS4571GB



Key features

- Huge 400g/min steam shot
- Electronic Touch Control
- SecureLock – easy carry
- Advanced Calc 'n' Clean
- 6 bar pressure
- i-Temp temperature control
- AntiShine function

Half the time, half the effort.

Save time and carefully look after all your clothes with i-Temp, which means you don't have to change temperatures for different fabrics. The SecureLock system for carrying and auto shut-off gives additional peace of mind.

Ultimate power in your hands.

A high 6 bar pressure and 400g/min steam shot ensures incredibly fast ironing and, using the vertical steam function, makes it quick and simple to freshen up garments or iron curtains.



High performance cleaning with superb reliability.

Our range of bagged and bagless vacuum cleaners is proof that you get the same level of Bosch technology in our small appliances as you get in our larger ones.



Perfect for pet owners.

The unique turbo brush makes picking up after your pets even easier, and keeps your furniture and upholstery pet hair free.

Keep your home clean and fresh.

HEPA and bionic filtration not only traps fine dust particles that can irritate hayfever and other allergy sufferers, but also reduces pet odours.

Incredibly powerful. Incredibly quiet.

Turning up the power doesn't mean you have to turn up the noise. This is the quietest bagless cylinder cleaner on the market* so you can use it anytime without disturbing anyone.

Bag our new bagless.

Technology in our new range of bagless vacuum cleaners ensures that whichever model you choose, it will maintain its energy efficiency and vacuuming performance for life.

Bagged vacuum cleaner BSGL5PT2GB Power Animal 2



Key features

- HEPA and bionic filter
- Unique turbo brush, perfect for pet hair pick-up
- Adjustable floor tool for all floors
- Large 4.5 litre capacity
- Energy efficiency class: C
- Dust re-emission class: A
- Cleaning performance carpet: B
- Cleaning performance hard floors: A

Bagless vacuum cleaner BGS5SILGB Power Silence 2



Key features

- The quietest bagless cylinder cleaner on the market*
- Incredibly quiet – 66 decibels**
- SensorBagless technology
- HEPA filter
- Energy efficiency class: A
- Dust re-emission class: A
- Cleaning performance carpet: C
- Cleaning performance hard floors: A

*Independently tested against the top 10 best selling bagless cylinder cleaners, according to GfK Sales Data September 2011-August 2012. Test standard IEC 60704-2-1:2000. For more information on test results, please visit www.bosch-home.co.uk. **66dB (re 1pW).

Agility on all floors.

Athlet. The new cordless, bagless upright with the same cleaning performance as a conventional vacuum cleaner.*



- ✓ Cordless
- ✓ Powerful
- ✓ Lightweight
- ✓ Agile

Ultra light.

Weighing just 3kg, the Athlet is light and easy to use all around the home.

EasyClean.

The Athlet requires no bag changes. It's a quick and simple task to remove, empty, clean and replace both the dirt container with filter unit and brush roll.

Maximum flexibility.

An extremely manoeuvrable nozzle joint means the Athlet can easily glide around or under furniture and by removing power cables completely, there is nowhere in the home it cannot reach.



Cordless, bagless vacuum cleaner BCH625KTGB Athlet white



Key features

- SensorBagless™ technology for efficient cleaning
- Runtime of up to 60 minutes**
- Motorised all-floor brush
- Self standing design for easy storage
- Accessory kit included

Cordless, bagless vacuum cleaner BCH61840GB Athlet black



Key features

- SensorBagless™ technology for efficient cleaning
- Runtime of up to 40 minutes**
- Motorised all-floor brush
- Self standing design for easy storage
- Accessory kit available separately

*Dust pick-up in comparison to a 2400W vacuum cleaner from Bosch (BGL32400GB) on carpet and hard floor with crevice. Tested according to EN 60312/2008 [with partly filled receptacle]. **Runtime depending on the selected power level.

The only extra hand you'll need in the kitchen.

Our multi-functional, award-winning food mixers and processors are packed with innovative, labour-saving technology so you can chop, blend, shred, mix and whisk your way more quickly through any food preparation task.



Food processor MCM68861GB brushed stainless steel	
	1250W
Key features	<ul style="list-style-type: none"> - Includes 10 accessories - Large 3.9 litre capacity - Brushed stainless steel finish - Variable speed + pulse - Serrated stainless steel "Supercut" blade

Food preparation made easy.
Power through any food preparation task with the 1250w motor and stay in control thanks to the variable speed settings.

One appliance, multiple uses.
With 10 accessories included and a 3.9 litre capacity, there's very little this versatile food processor can't handle.



Make every morning a good one.

With elegant designs and the latest heating technology, our range of Styline kettles and toasters help start every morning the right way. Variable controls ensure that whatever you're brewing or toasting, it is made to perfection every time.



As functional as it is stylish.

Four digital temperature settings and a keep warm function ensure every drink tastes just as you want it. Save time and energy with rapid boil and one-cup heating.

Perfect toast every time.

Using a quartz glass element and mirror heating means heat is distributed evenly. Add in an electronic auto heat control and you've got consistent toasting every time.

Styline kettles
 TWK8633GB black
 TWK8631GB white



Key features

- TemperatureControl with four different settings for different drinks (100°C/90°C/80°C/70°C)
- Eco Design allows user to boil as little as 1 cup (250ml) saving up to 66% energy
- Keep Warm Function holds temperature for up to 30 minutes to save time
- Rapid Boil

Styline toasters
 TAT8613GB black
 TAT8611GB white



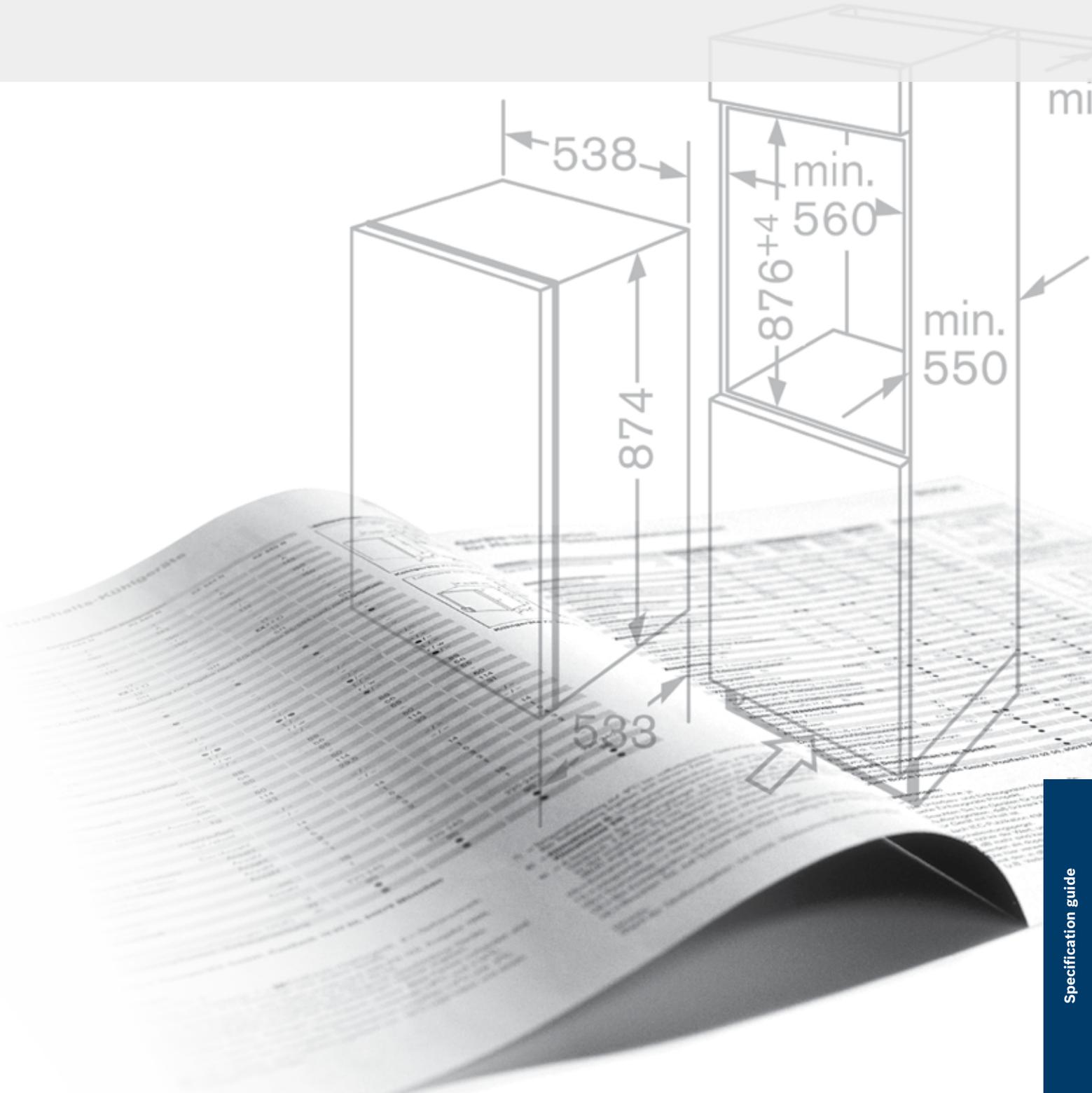
Key features

- Mirror Heating and Quartz glass elements for even heat distribution
- Wide slots with auto bread centering for a variety of different bread sizes
- Electronic Auto Heat Control Sensors for consistent browning
- Built-in bun warmer



Product specification guide.

2014/2015



Washing machine specifications

WASHING MACHINES										
	Serie 8				Serie 6				Serie 4	
MODEL	WAY28790GB	WAW28660GB	WAW32560GB	WAW28560GB	WAT28460GB	WAT24460GB	WAQ28351GB	WAQ28365GB	WAE28377GB	WAE24377GB
PERFORMANCE										
Energy efficiency class	A+++	A+++	A+++	A+++	A+++	A+++	A+++	A+++	A+++	A+++
Capacity cotton (kg)	9.0	9.0	9.0	9.0	8.0	8.0	8.0	8.0	7.0	7.0
Maximum spin speed (rpm)	1400	1400	1600	1400	1400	1200	1400	1400	1400	1200
Moisture content % on dry load after max. spin	58	53	44	53	53	53	53	53	53	53
Washing performance class	A	A	A	A	A	A	A	A	A	A
Spin drying performance class	B	B	A	B	B	B	B	B	B	B
Energy consumption annual (kWh/annum)	189	152	152	152	137	137	135	135	165	165
Ø Energy consumption 40 °C cotton programme (partial load) kWh	0.65	0.42	0.42	0.42	0.35	0.35	0.51	0.51	0.67	0.67
Ø Energy consumption 60 °C cotton programme (full load) kWh	1.10	0.92	0.92	0.92	0.74	0.74	0.64	0.64	0.72	0.72
Ø Energy consumption 60 °C cotton programme (partial load) kWh	0.69	0.60	0.60	0.60	0.70	0.70	0.53	0.53	0.73	0.73
10% more economical than the standard value of 217kWh p.a.	●	●	●	●	●	●	●	●	●	●
30% more economical than the standard value of 196kWh p.a.	●	●	●	●	●	●	●	●	●	●
Water consumption annual (l/annum)	11300	11220	11220	11220	9900	9900	9460	9460	10686	10686
Average washing time cotton 40C (partial load)	210	270	270	270	210	210	240	240	185	185
Average washing time cotton 60C (full load) (min)	225	275	275	275	210	210	240	240	215	215
Average washing time cotton 60C (partial load)	210	270	270	270	210	210	240	240	215	215
Power consumption in off-mode	0.06	0.12	0.12	0.12	0.12	0.12	0.17	0.17	0.20	0.20
Power consumption in left-on mode	0.06	0.43	0.43	0.43	0.43	0.43	2.00	2.00	1.90	1.90
Drum volume (l)	65	65	65	65	63	63	58	58	55	55
Noise level washing (dB(A) re 1 pW)	52	47	47	47	49	50	51	51	57	59
Noise level spinning (dB(A) re 1 pW)	74	71	73	71	74	74	77	77	77	77
PROGRAMMES/FUNCTIONS										
Standard Programmes										
Cottons	●	●	●	●	●	●	●	●	●	●
Easy-care programme	●	●	●	●	●	●	●	●	●	●
Wool programme	●	●	●	●	●	●	●	●	●	●
Delicates/Silk	●	●	●	●	●	●	●	●	●	●
Rinse	●	●	●	●	●	●	●	●	●	●
Spin	●	●	●	●	●	●	●	●	●	●
Empty	●	●	●	●	●	●	●	●	●	●
Specialist Programmes										
i-DOS detergent dosing system	●	●	●	●	●	●	●	●	●	●
Memory programmes	●	●	●	●	●	●	●	●	●	●
Auto Programme	●	●	●	●	●	●	●	●	●	●
Auto stains removal	●	●	●	●	●	●	●	●	●	●
Super Quick 15 / Super Quick 15/30	●	●	●	●	-/●	-/●	●/-	●/-	●/-	●/-
Sportswear	●	●	●	●	●	●	●	●	●	●
Allergy+	●	●	●	●	●	●	●	●	●	●
Sensitive	●	●	●	●	●	●	●	●	●	●
Dark Wash	●	●	●	●	●	●	●	●	●	●
Mixed Load	●	●	●	●	●	●	●	●	●	●
Night Wash	●	●	●	●	●	●	●	●	●	●
Jeans	●	●	●	●	●	●	●	●	●	●
Shirts and blouses	●	●	●	●	●	●	●	●	●	●
Duvet	●	●	●	●	●	●	●	●	●	●
Towels	●	●	●	●	●	●	●	●	●	●
Down Wear	●	●	●	●	●	●	●	●	●	●
Options										
EcoPerfect	●	●	●	●	●	●	●	●	●	●
SpeedPerfect	●	●	●	●	●	●	●	●	●	●
Wash Plus	●	●	●	●	●	●	●	●	●	●
Reduced Ironing	●	●	●	●	●	●	●	●	●	●
Aqua Plus/Extra Rinse	●/-	●	●	●	●/-	●/-	●/-	●/-	●/-	●/-
Pre Wash	●	●	●	●	●	●	●	●	●	●
Variable Temperature	●	●	●	●	●	●	●	●	●	●
Variable Spin	●	●	●	●	●	●	●	●	●	●
Drum Clean	●	●	●	●	●	●	●	●	●	●
KEY FEATURES										
EcoSilence Drive	●	●	●	●	●	●	●	●	●	●
VarioPerfect	●	●	●	●	●	●	●	●	●	●
ActiveWater system	●	●	●	●	●	●	●	●	●	●
AntiVibration design	●	●	●	●	●	●	●	●	●	●
ADDITIONAL FEATURES										
SoftSurge Drum	●	●	●	●	●	●	●	●	●	●
Wave Drum	●	●	●	●	●	●	●	●	●	●
Time delay	24 hours	24 hours	24 hours	24 hours	24 hours	24 hours	24 hours	24 hours	24 hours	24 hours
Time remaining	●	●	●	●	●	●	●	●	●	●
Reload facility	●	●	●	●	●	●	●	●	●	●
Overdosage indication	●	●	●	●	●	●	●	●	●	●
Child lock	●	●	●	●	●	●	●	●	●	●
Self cleaning dispenser	●	●	●	●	●	●	●	●	●	●
Drum interior light	●	●	●	●	●	●	●	●	●	●
Safeguard monitoring system	●	●	●	●	●	●	●	●	●	●
Water protection system	Multiple water protection	Multiple water protection	Multiple water protection	Multiple water protection	Multiple water protection	Multiple water protection	Multiple water protection	Multiple water protection	Multiple water protection	Multiple water protection
Type of control	Electronic	Electronic	Electronic	Electronic	Electronic	Electronic	Electronic	Electronic	Electronic	Electronic
TECHNICAL INFORMATION										
Dimensions of the product (cm)	85.0 x 60.0 x 59.0	84.5 x 60.0 x 59.0	84.5 x 60.0 x 59.0	84.5 x 60.0 x 59.0	84.8 x 59.8 x 59.0	84.8 x 59.8 x 59.0	84.8 x 59.8 x 55.0	84.8 x 59.8 x 55.0	84.8 x 60.0 x 59.0	84.8 x 60.0 x 59.0
Height for building under (cm)	85.00	85.00	85.00	85.00	85.00	85.00	82.00	82.00	82.00	82.00
Depth with door open (90°)	108	106.30	106.30	106.30	104.90	104.90	101.80	101.80	99.00	99.00
Height-adjustable by	1.20	1.20	1.20	1.20	1.00	1.00	1.00	1.00	1.50	1.50
Appl depth incl wall distance	59	59	59	59	59	59	55	55	59	59
Length electrical supply cord (cm)	175.0	175.0	175.0	175.0	150.0	150.0	150.0	150.0	150.0	150.0
Length of drain hose (cm)	150.00	150.00	150.00	150.00	150.00	150.00	150.00	150.00	150.00	150.00
Display	TFT	LED	LED	LED	LED	LED	LED	LED	LED	LED
Cabinet colour	White	White	White	White	White	White	White	Stainless Steel	White	White
Door colour	Chrome white	Chrome white	Chrome white	Chrome white	Silver White	Silver White	White	Silver inox	White	White
Door hinge	Left-hand	Left-hand	Left-hand	Left-hand	Left-hand	Left-hand	Left-hand	Left-hand	Left-hand	Left-hand
Removable top	●	●	●	●	●	●	●	●	●	●
EAN code	4242002784335	4242002821702	4242002822547	4242002822396	4242002823652	4242002841489	4242002801513	4242002798394	4242002832067	4242002833620
OPTIONAL ACCESSORIES										
Build under kit					WMZ20430		WMZ20331	WMZ20331	WMZ2420	WMZ2420
Floor fixing kit	WMZ2200	WMZ2200	WMZ2200	WMZ2200	WMZ2200	WMZ2200	WMZ2200	WMZ2200	WMZ2200	WMZ2200
Extension to water inlet	WMZ2380	WMZ2380	WMZ2380	WMZ2380	WMZ2380	WMZ2380	WMZ2380	WMZ2380	WMZ2380	WMZ2380

● = Yes
- = No

to which the information in the label relates. These programmes are suitable to clean normally soiled cotton laundry and are the most efficient programmes in terms of combined energy and water consumption. Annual energy and water consumption based on 220 standard wash cycles.

Tumble dryers and washer dryer specifications

WASHER DRYER				TUMBLE DRYER									
	Serie 6		Silver edition		Serie 8		Serie 6		Black Edition		Serie 4		Classic
MODEL	WVH28422GB	WVH28360GB	WVH2836SGB	MODEL	WTY86790GB	WTW87560GB	WTW85490GB	WTG86400GB	WTW863S1GB	WTE8632GB	WTE84301GB	WTE84106GB	WTA74200GB
PERFORMANCE				PERFORMANCE									
Energy efficiency class	A	B	B	Energy efficiency class	A++	A++	A++	B	A++	B	B	B	C
Capacity cotton (Kg) washing	7.0	7.0	7.0	Capacity cotton (Kg)	8.0	9.0	8.0	8.0	7.0	7.0	7.0	7.0	7.0
Capacity cotton (Kg) drying	4.0	4.0	4.0	Energy consumption annual (kWh/annum)	232.0	259.0	232.0	561.0	212.0	504.0	504.0	504.0	482.0
Maximum spin speed (rpm)	1400	1400	1400	Energy consumption standard cotton programme full load (kWh)	1.84	2.13	1.80	4.63	1.65	4.20	4.20	4.20	3.90
Washing performance class	A	A	A	Energy consumption standard cotton programme half load (kWh)	1.14	1.21	1.04	2.61	0.97	2.30	2.30	2.30	2.29
Energy consumption (wash and dry of full wash load) (kWh)	4.76	5.67	5.67	Programme Time standard cotton programme full load (mins)	138	157	203	137	178	124	124	124	128
Energy consumption (wash only) (kWh)	0.70	1.22	1.22	Programme Time standard cotton programme half load (mins)	92	97	122	82	110	76	76	76	77
Total annual energy consumption (Washing and drying 200 full loads) (kWh)	952	1134	1134	Condensation efficiency class	B	A	B	B	B	B	B	B	-
Total annual energy consumption (Washing only 200 full loads) (kWh)	140	244	244	Condensation efficiency for standard cotton programme on full and partial load	85%	91%	86%	88%	86%	89%	89%	89%	-
Water consumption (wash and dry full wash load) (l)	57	89	89	Power consumption in off mode	0.1	0.1	0.1	0.1	0.1	0.1	0.1	0.1	0.1
Total annual water consumption (Washing and drying 200 full loads) (l)	11400	17800	17800	Duration of left on mode	30	30	30	30	0	0	0	0	0
Total annual water consumption (Washing only 200 full loads) (l)	10200	17500	17500	Drum volume (l)	112	112	112	112	112	112	112	112	112
Average washing time cotton 60C (full load) (min)	240	165	165	Noise level (dB(A) re 1 pW)	64	64	65	65	65	65	64	66	65
Average drying time min 60C cotton (automatic washing and drying process)				PROGRAMMES/ FUNCTIONS									
Drum volume (l)	56	56	56	Standard Programmes									
Noise level washing (dB(A) re 1 pW)	48	52	52	Cottons	●	●	●	●	●	●	●	●	●
Noise level spinning (dB(A) re 1 pW)	74	71	71	Easy-care	●	●	●	●	●	●	●	●	●
Noise level drying (93,5%) dB	60	57	57	Woolen Finish	●	●	●	●	●	●	●	●	●
PROGRAMMES				Superquick 40	●	●	●	●	●	●	●	●	●
Standard Programmes				Freshen Up	●	●	●	●	●	●	●	●	●
Cottons	●/-	-/●	-/●	Timed programmes	●	●	●	●	●	●	●	●	●
Easy-care programme	●	●	●	Mixed Fabrics	●	●	●	●	●	●	●	●	●
Wool programme	●	●	●	Sportswear	●	●	●	●	●	●	●	●	●
Delicates / Silk	●	●	●	Shirts 15	-	-	-	-	-	-	-	-	-
Intensive Dry	●	●	●	Towels	●	●	●	●	●	●	●	●	●
Gentle Dry	●	●	●	Delicates	●	●	●	●	●	●	●	●	●
Rinse	●	●	●	Down Wear	●	●	●	●	●	●	●	●	●
Specialist Programmes				Shirts and blouses	●	●	●	●	●	●	●	●	●
Automatic drying programme	●	●	●	Blankets	●	●	●	●	●	●	●	●	●
Super Quick 15	●	●	●	Allergy+	-	-	-	-	-	-	-	-	-
Wash and Dry 60 mins	●	●	●	Duvet	-	-	-	-	-	-	-	-	-
HygieneCare	●	●	●	Wool/Trainer basket	-	-	-	-	-	-	-	-	-
Drum Clean	●	●	●	Options									
Sportswear	●	●	●	Buzzer	●	●	●	●	●	●	●	●	●
Allergy+	●	●	●	Low Heat option	●	●	●	●	●	●	●	●	●
Mixed Load	●	●	●	Reduced Ironing	●	●	●	●	●	●	●	●	●
Steam Refresh	●	●	●	KEY FEATURES									
Options				ActiveAir Technology	●	●	●	●	●	●	●	●	●
Reduced Ironing	●	●	●	Heat pump	●	●	●	●	●	●	●	●	●
Aqua Plus/Rinse Plus	●/-	-/●	-/●	Self cleaning condenser	●	●	●	●	●	●	●	●	●
Pre wash	●	●	●	Sensor drying with revolution drying system	●	●	●	●	●	●	●	●	●
Variable Temperature	●	●	●	ADDITIONAL FEATURES									
Variable Spin	●	●	●	Drum with soft paddles	●	●	●	●	●	●	●	●	●
Spin speed reduction	●	●	●	Anti crease cycle (mins)	120	120	120	120	120	120	120	120	60
Express Wash	●	●	●	Time delay	24	24	24	24	24	24	24	24	24
KEY FEATURES				Time remaining	●	●	●	●	●	●	●	●	●
AirCondensation technology	●	●	●	Drum interior light	●	●	●	●	●	●	●	●	●
EcoSilence Drive	●	●	●	Water container full/blocked filter warning indicator	●/●	●/●	●/●	●/●	●/●	●/●	●/●	●/●	-/●
VarioPerfect	●	●	●	Child lock	●	●	●	●	●	●	●	●	●
AutoDry function	●	●	●	TECHNICAL INFORMATION									
Self cleaning condenser	●	●	●	Dimensions of the product (cm)	84.2 x 59.7 x 63.4	84.2 x 59.8 x 63.6	84.2 x 59.7 x 63.6	84.2 x 59.7 x 63.6	84.2 x 59.8 x 63.6	84.2 x 59.8 x 63.9	84.2 x 59.8 x 63.9	84.2 x 59.8 x 63.9	84.2 x 59.8 x 62.9
ADDITIONAL FEATURES				Depth with open door 90 degree (cm)	108.6	107	109.1	109.1	109.1	102	102	102	103.6
SoftSurge drum	●	●	●	Maximum adjustability feet (cm)	1.5	1.5	1.5	1.5	1.5	1.5	1.5	1.5	1.5
Time delay	24 hours	24 hours	24 hours	Length electrical supply cord (m)	1.45	1.45	1.45	1.45	1.45	1.45	1.45	1.45	1.45
Time remaining	●	●	●	Display	TFT	LED	LED	LED	LCD	LED	LED	LED	LED
Reload facility	●	●	●	Cabinet colour	White	White	White	White	White	Black	White	White	White
Ovedosage indication	●	●	●	Door colour	Chrome/White	Chrome/White	Silver/White	Silver/White	White	Alu polished	White	White	White
Safeguard monitoring system	●	●	●	Door hinge	Reversible	Right-hand	Right-hand	Right-hand	Right-hand	Right-hand	Right-hand	Right-hand	Right-hand
Noise insulation	●	●	●	Removable top	-	-	-	-	●	●	●	●	-
Child safety lock	●	●	●	Location of vent	-	-	-	-	-	-	-	-	At rear, Left-hand
Water protection system	AquaSecure	Multiple water protection	Multiple water protection	Vent hose length (cm)	-	-	-	-	-	-	-	-	20.00
Type of control	Electronic	Electronic	Electronic	Type of control	Electronic	Electronic	Electronic	Electronic	Electronic	Electronic	Electronic	Electronic	Electronic
TECHNICAL INFORMATION				EAN code	4242002784458	4242002815718	4242002819693	4242002834986	4242002781385	4242002764573	4242002764597	4242002764603	4242002766607
Dimensions of the product (cm)	84.5 x 60.0 x 59.0	85.0 x 60.0 x 59.0	85.0 x 60.0 x 59.0	OPTIONAL ACCESSORIES									
Depth with open door 90 degree (cm)	108	108	108	Cover plate	-	WTZ10290	-	-	WTZ10290	WTZ10290	WTZ10290	WTZ10290	-
Maximum adjustability feet (cm)	1.2	1.5	1.5	Stacking kit with pull out shelf	WTZ11400	WTZ11400	WTZ11400	WTZ11400	WTZ11400	-	WTZ11300	WTZ11300	WTZ11400
Length electrical supply cord (cm)	210.0	210.0	210.0	Stacking kit	WTZ20410	-	WTZ20410	WTZ20410	WTZ20410	WTZ11320	WTZ11310	WTZ11310	WTZ11311
Display	LED	LED	LED	Condenser Drain kit	-	-	-	WTZ1110	-	WTZ1110	WTZ1110	WTZ1110	-
Cabinet colour	White	White	White	Replacement Vent kit	-	-	-	-	-	-	-	-	WTZ1130
Door colour	Silver black	White black grey	White black grey	● = Yes - = No									
Door hinge	Left-hand	Left-hand	Left-hand	The programme cotton cupboard dry used at full and partial loads is the standard drying programme to which the information on the energy label refers. This is the most efficient programme in terms of energy consumption for cotton. Annual consumption is based on 160 drying cycles.									
Removable top	●	●	●	Data valid in this table as of October 2014. Subject to modification without prior notice.									
EAN code	4242002748375	4242002752044	4242002752051										
OPTIONAL ACCESSORIES													
Build under cover	WMZ2420	WMZ2420	WMZ2420										
Floor fixing kit	WMZ2200												
Extension for cold water inlet	WMZ2380												

Dishwasher specifications

	Serie 8	Logixx	Exxxel	Classixx	Silver Edition	Black Edition	
MODEL	SMS88TWOIG	SMS69L32GB	SMS58E32GB	SMS65E38GB	SMS65E32GB	SMS58E22GB	
Colour	White	White	White	Silver inox	White	White	
PERFORMANCE							
Reference programme for measurements	Economy 50	Economy 50	Economy 50	Economy 50	Economy 50	Economy 50	
Energy efficiency class	A+++	A+	A+++	A++	A++	A++	
Total annual energy consumption ¹	kWh 237	299	214	262	262	266	
Total annual water consumption ¹	litres 2660	2660	2660	1680	1680	2660	
Energy consumption ²	kWh 0.83	1.05	0.76	0.92	0.92	0.93	
Water consumption ²	litres 9.5	9.5	9.5	6.0	6.0	9.5	
Number of place settings	14	14	14	13	13	14	
Cleaning performance class	A	A	A	A	A	A	
Drying efficiency class	A	A	A	A	A	A	
Noise level (dB(A) re 1 pW)	42	38	42	44	44	46	
Total cycle time of reference programme	min 195	195	195	185	185	195	
PROGRAMMES/ FUNCTIONS							
Number of programmes	8	6	5	6	6	5	
Number of options	5	4	4	4	4	4	
Number of different wash temperatures	6	5	5	6	6	4	
List of programmes	Auto 65-75°C, Auto 45-65°C, Auto 35-45°C, Economy 50°C, Quick Wash 45°C, Pre Rinse, Super 60°C, Night Program 50°C	Auto 65-75°C, Auto 45-65°C, Auto 35-45°C, Economy 50°C, Quick Wash 45°C, Pre Rinse	Intensive 70°C, Auto 45-65°C, Economy 50, Quick Wash 45°C, Pre Rinse	Intensive 70°C, Auto 45-65°C, Economy 50°C, Delicate 40°C, TurboSpeed 20 min, Pre Rinse	Intensive 70°C, Auto 45-65°C, Economy 50°C, Delicate 40°C, TurboSpeed 20 min, Pre Rinse	Intensive 70°C, Auto 45-65°C, Economy 50°C, Quick Wash 45°C, Pre Rinse	Intensive 70°C, Economy 50°C, Quick Wash 45°C, Pre Rinse
Additional special options	Shine & Dry, Intensive Zone, VarioSpeed Plus, Half Load, HygienePlus	Intensive Zone, VarioSpeed Plus, HygienePlus, Extra Dry	Shine & Dry, Intensive Zone, Half Load, VarioSpeed Plus	Intensive Zone, VarioSpeed, Half Load, Extra Dry	Intensive Zone, VarioSpeed, Half Load, Extra Dry	Intensive Zone, VarioSpeed, Half Load, Extra Dry	VarioSpeed, Half Load
FLEXIBLE DESIGN ELEMENTS							
VarioDrawer	VarioDrawer Pro	VarioDrawer Plus	VarioDrawer	-	-	VarioDrawer	
Basket Description	VarioFlex Pro	VarioFlex Plus	VarioFlex	VarioFlexPlus	VarioFlexPlus	VarioFlex	
Adjustable upper basket	3-stage Rackmatic™	3-stage Rackmatic™	3-stage Rackmatic™	3-stage Rackmatic™	3-stage Rackmatic™	3-stage Rackmatic™	
Cup shelves upper/ lower baskets	2/-	2/2	2/-	2/2	2/2	-	
Largest loadable dish upper/ lower basket	cm 21/31	21/30	27/30	27/30	27/30	21/30	
INNOVATIONS AND TECHNOLOGY							
Drying system	Zeolith	Heat exchanger	Heat exchanger	Heat exchanger	Heat exchanger	Heat exchanger	
Load Sensor	●	●	●	●	●	●	
AquaSensor	●	●	●	●	●	●	
Detergent aware	●	●	●	●	●	●	
DosageAssist	●	●	●	●	●	●	
DuoPower spray arm	-	-	-	-	-	-	
DESIGN FEATURES							
Start delay time max	hours 24	24	24	24	24	24	
Flood protection system	AquaStop 24hr	AquaStop 24hr	Multiple water protection	Internal	Internal	Internal	
Time remaining indicator	●	●	●	●	●	●	
End of cycle indicator	Acoustic	Acoustic	-	-	-	-	
Salt light indicator	●	●	●	●	●	●	
Rinse aid light indicator	●	●	●	●	●	●	
Safety features	Door lock	Door lock	Door lock, tamperproof control	Control panel lock,	Control panel lock,	Control panel lock,	
Self cleaning filter system	●	●	●	Door lock	Door lock	Door lock	
TECHNICAL SPECIFICATIONS							
Maximum adjustability feet	2	2	-	2	2	2	
Depth with open door 90 degree	cm 115.5	115.5	115.5	115.5	115.5	115.5	
Length electrical supply cord	cm 175	170	175	170	170	170	
Length inlet hose	cm 165	140	165	140	140	140	
Length outlet hose	cm 190	170	190	170	170	170	
Removable worktop	●	●	●	●	●	●	
Height of the product with worktop	cm 84.5	84.5	84.5	84.5	84.5	84.5	
Height of the product without worktop	cm 81.5	81.5	81.5	81.5	81.5	81.5	
Width of the product	cm 60	60	60	60	60	60	
Depth of the product	cm 60	60	60	60	60	60	
Net weight	kg 54	61	52	48	48	51	
Gross weight	kg 57	62	53	50	50	53	
Water softener ³	●	●	●	●	●	●	
Maximum accepted water hardness	DH 50°DH	50°DH	50	50°DH	50°DH	50°DH	
Maximum temperature for water intake	°C 60	60	60	60	60	60	
Included accessories	Large item spray head	Large item spray head	Large item spray head	Large item spray head	Large item spray head	Large item spray head	
Optional accessories (see below)	SGZ1010, SMZ5001, SMZ5100	SGZ1010, SMZ5001, SMZ5002, SMZ5100	SGZ1010, SMZ5001, SMZ5002, SMZ5100	SGZ1010, SMZ5001, SMZ5002	SGZ1010, SMZ5001, SMZ5002	SGZ1010, SMZ5001, SMZ5002	
EAN code	4242002829845	4242002751825	4242002762180	4242002751849	4242002751832	4242002751856	

● = Yes
- = No

Key to accessories: **SGZ1010:** Aquastop extension, **SGZ3003:** Silver polishing cassette, **SMZ5001:** Bottle and small parts holders, **SMZ5002:** Silver polishing cassette, **SMZ5100:** Adjustable cutlery basket

¹Based on 280 standard cleaning cycles using cold water fill, including consumption of the standby mode.

²The consumption per cleaning cycle of the "Eco 50°" programme using cold water fill.

³We would recommend our dishwashers are connected to the mains water supply where possible. However, they may also be connected to an external water softener as long as the water softener produces softened water of less than 1.1 mmol/litre (7.0°e) and the water softener in the appliance is turned off. Please contact product advice for further information.

Water pressure required: 0.5-10 Bar. Flow rate: 10 litres per minute. Inlet valve connected directly to ¾" screwed joint.

All models comply with COMMISSION REGULATION (EC) No 1275/2008 with regard to ecodesign requirements for standby and of mode electric power consumption.

Data valid in this table as of October 2014. Subject to modification without prior notice.

Dishwasher specifications

45CM DISHWASHERS					COMPACT DISHWASHERS				
Classixx	Logixx	Exxcel			Classixx				
SMS40C02GB	SPS59L12GB	SPS53E12GB	SPS53E18GB	SPS40C12GB	SKS62E12EU	SKS51E01EU	SKS51E16EU	SKS51E18EU	SKS40E02GB
White	White	White	Silver inox	White	White	Red	Black	Silver Inox	White
Economy 50	Economy 50	Economy 50	Economy 50	Economy 50	Economy 50	Economy 50	Economy 50	Economy 50	Economy 50
A+	A+	A+	A+	A+	A+	A+	A+	A+	A+
290	237	220	220	220	174	174	174	174	174
3360	2520	2520	2520	3080	2100	2100	2100	2100	2100
1.02	0.84	0.78	0.78	0.78	0.62	0.62	0.62	0.62	0.62
12.0	9.0	9.0	9.0	11.0	7.5	7.5	7.5	7.5	7.5
12	10	9	9	9	6	6	6	6	6
A	A	A	A	A	A	A	A	A	A
A	A	A	A	A	A	A	A	A	B
50	44	48	48	48	48	48	48	48	52
195	170	170	170	170	180	180	180	180	180
4	5	5	5	4	6	5	5	5	4
1	4	2	2	1	2	1	1	1	0
3	4	4	4	3	5	5	5	5	4
Normal 65°C, Economy 50°C, Quick Wash 45°C, Pre Rinse	Intensive 70°C, Auto 45-65°C, Economy 50°C, Quick Wash 45°C, Pre Rinse	Intensive 70°C, Auto 45-65°C, Economy 50°C, Quick Wash 45°C, Pre Rinse	Intensive 70°C, Auto 45-65°C, Economy 50°C, Quick Wash 45°C, Pre Rinse	Intensive 70°C, Auto 45-65°C, Economy 50°C, Quick Wash 45°C, Pre Rinse	Intensive 70°C, Auto 45-65°C, Economy 50°C, Quick Wash 45°C, Pre Rinse	Intensive 70°C, Normal 65°C, Economy 50°C, Delicate 40°C, Quick Wash 45°C	Intensive 70°C, Normal 65°C, Economy 50°C, Delicate 40°C, Quick Wash 45°C	Intensive 70°C, Normal 65°C, Economy 50°C, Delicate 40°C, Quick Wash 45°C	Intensive 70°C, Normal 65°C, Economy 50°C, Quick Wash 45°C
Half Load	Intensive Zone, VarioSpeed, Hygiene, Extra Dry	Intensive Zone, VarioSpeed	Intensive Zone, VarioSpeed	VarioSpeed	VarioSpeed, Extra Dry	ExtraDry	ExtraDry	ExtraDry	-
-	VarioDrawer	-	-	-	-	-	-	-	-
Vario	VarioFlex Plus	VarioFlex	VarioFlex	Vario	Vario	Vario	Vario	Vario	Vario
Adjustable when empty	3-stage Rackmatic™	3-stage Rackmatic™	3-stage Rackmatic™	Adjustable when empty	-	-	-	-	-
2/-	1/1	2/-	2/-	1/-	2	2	2	2	2
22/30	19/30	27/30	27/30	27/30	28	28	28	28	28
Residual heat	Heat exchanger	Heat exchanger	Heat exchanger	Heat exchanger	Residual heat	Residual heat	Residual heat	Residual heat	Residual heat
●	●	●	●	●	●	●	●	●	●
-	●	●	●	●	●	-	-	-	-
●	●	●	●	●	●	●	●	●	●
●	●	●	●	●	●	●	●	●	●
-	●	●	●	●	-	-	-	-	-
24	24	24	24	9	24	-	-	-	-
Internal	AquaStop 24hr	AquaStop 24hr	AquaStop 24hr	AquaStop 24hr	Internal	Internal	Internal	Internal	Internal
●	●	●	●	-	●	-	-	-	-
-	-	-	-	-	-	-	-	-	-
●	●	●	●	●	●	●	●	●	●
●	●	●	●	●	●	●	●	●	●
Door lock	Control panel lock, Door lock	Control panel lock, Door lock	Control panel lock, Door lock	-	-	-	-	-	-
●	●	●	●	●	●	●	●	●	●
2	2	2	2	2	-	-	-	-	-
115.5	115.5	115.5	115.5	115.5	84.5	84.5	84.5	84.5	84.5
170	170	170	170	170	170	170	170	170	170
140	140	140	140	140	150	150	150	150	150
170	170	170	170	170	226	226	226	226	226
●	●	●	●	●	-	-	-	-	-
84.5	84.5	84.5	84.5	84.5	45	45	45	45	45
81.5	81.5	81.5	81.5	81.5	-	-	-	-	-
60	45	45	45	45	55.1	55.1	55.1	55.1	55.1
60	45	60	60	60	50	50	50	50	50
45	43	41	41	41	21	21	21	21	20
47	44	42	43	42	24	24	24	24	23
●	●	●	●	●	●	●	●	●	●
50°DH	50°DH	50°DH	50°DH	35°DH	50°DH	35°DH	35°DH	35°DH	35°DH
60	60	60	60	60	60	25	25	25	25
Large item spray head	Large item spray head	Large item spray head	Large item spray head	Large item spray head	-	-	-	-	-
SMZ2014, SMZ5001, SMZ5002	SGZ1010, SMZ5001, SMZ5002	SGZ1010, SMZ5001, SMZ5002	SGZ1010, SMZ5001, SMZ5002	SGZ1010, SMZ5001, SMZ5002	SGZ1010, SMZ5001, SMZ5002	SGZ1010, SGZ3003, S273100	SGZ1010, SGZ3003, SMZ5545	SGZ1010, SGZ3003, SMZ5545	SGZ1010, SGZ3003, SMZ5545
4242002642062	4242002671208	4242002670928	4242002670911	4242002670935	4242002762425	4242002760681	4242002760674	4242002760667	4242002525440

Key to accessories: **SGZ1010:** Aquastop extension, **SGZ3003:** Silver polishing cassette, **SMZ5001:** Bottle and small parts holders, **SMZ5002:** Silver polishing cassette, **SMZ5100:** Adjustable cutlery basket

¹Based on 280 standard cleaning cycles using cold water fill, including consumption of the standby mode.

²The consumption per cleaning cycle of the "Eco 50" programme using cold water fill.

³We would recommend our dishwashers are connected to the mains water supply where possible. However, they may also be connected to an external water softener as long as the water softener produces softened water of less than 1.1 mmol/litre (7.0°e) and the water softener in the appliance is turned off. Please contact product advice for further information.

Water pressure required: 0.5-10 Bar. Flow rate: 10 litres per minute. Inlet valve connected directly to ¾" screwed joint.

All models comply with COMMISSION REGULATION (EC) No 1275/2008 with regard to ecodesign requirements for standby and off mode electric power consumption.

Data valid in this table as of October 2014. Subject to modification without prior notice.

Fridge and wine cabinet specifications

MODEL	UPRIGHT FRIDGES						WINE CABINETS			
	Logixx		Exxcel				Classixx			
	KSV 36AW41G	KSV 36AW31G	KSV 36VW30G	KSV 36VL30G	KSV 36VB30	KSV 33VW30G	KSV 36NW30G	KSV 29NW30G	KSV 30V80GB	KTW 18V80GB
PERFORMANCE AND CONSUMPTION										
Energy efficiency class	A+++	A++	A++	A++	A++	A++	A+	A++	C	B
Annual energy consumption kWh	75	112	112	112	112	110	152	107	266	153
Refrigerator net capacity litres	346	346	346	346	346	324	355	290	-	-
Total unit net capacity litres	-	-	-	-	-	-	-	-	360	140
Capacity in 0.75l (bordeaux bottles)	-	-	-	-	-	-	-	-	120	43
Noise level dB (re 1pW)	38	39	39	39	39	39	39	39	38	38
DESIGN FEATURES										
Main colour of product	White	White	White	Inox-look	Black	White	White	White	Silver	Silver
Colour of sides	White	White	White	Chrome Inox-metallic	Black	White	White	White	-	-
Type of handle	Bar	Bar	Bar	Bar	Bar	Bar	Bar	Bar	-	-
Reversible Door, hinged right	-	-	-	-	-	-	●	●	-	-
Door hinge	Left, reversible	Left, reversible	Left, reversible	Left, reversible	Left, reversible	Left, reversible	Left, reversible	Left, reversible	-	-
LED light	●	●	●	●	●	●	-	-	-	-
Light	-	-	-	-	-	-	●	●	-	-
Number of compressors	1	1	1	1	1	1	1	1	-	-
Number of cooling circuits	1	1	1	1	1	1	1	1	-	-
Number of evaporators	1	1	1	1	1	1	-	-	-	-
Number of independent cooling systems	-	-	-	-	-	-	-	-	1	1
Number of temperature zones	-	-	-	-	-	-	-	-	1	1
Range of temperature °C	-	-	-	-	-	-	-	-	6-18	6-18
FOOD FRESHNESS SYSTEM										
Interior ventilator	●	●	●	●	●	●	-	-	-	-
Humidity control drawer	●	●	●	●	●	●	-	-	-	-
Food preservation containers	HydroFresh / ChillerBox	HydroFresh / ChillerBox	CrisperBox	CrisperBox	CrisperBox	CrisperBox	-	-	-	-
Anti bacterial air filter	-	-	-	-	-	-	-	-	-	-
KEY FEATURES - FRIDGE SECTION										
Bottle rack in fridge	-	-	●	●	●	●	-	-	-	-
Fully extendable glass shelves for easy reach	●	●	-	-	-	-	7	-	-	-
Number of glass safety shelves	7	7	7	7	7	7	7	5	-	-
FlexShelf for additional storage	●	●	-	-	-	-	-	-	-	-
Number of shelves in door (including EasyLift)	4	5	5	5	5	5	5	4	-	-
EasyLift flexible shelf in door	●	●	-	-	-	-	-	-	-	-
Thermometer	Digital 7 segment	Digital 7 segment	Digital 7 segment	Digital LED	Digital 7 segment	Digital LED	-	-	-	-
Number of adjustable shelves	5	5	5	5	5	5	5	3	-	-
Number of door bins in fridge	2	2	2	2	2	2	-	-	-	-
Number of shelves	-	-	-	-	-	-	-	-	-	-
Number of easy pull-out shelves	5	-	-	-	-	-	-	-	-	-
Number of door bins	-	-	-	-	-	-	-	-	-	-
Number of door shelves	-	-	-	-	-	-	-	-	-	-
Shelves for bottles	-	-	-	-	-	-	-	-	-	-
Included accessories: egg tray, bottle gripper	1 / -	1 / -	1 / -	1 / -	1 / -	1 / -	-	-	-	-
KEY FEATURES - WINE COOLER										
Number of shelves	-	-	-	-	-	-	-	-	9	4
Number of adjustable shelves	-	-	-	-	-	-	-	-	8	3
Type of glass door	-	-	-	-	-	-	-	-	2 glass panels, UV-filter Right	2 glass panels, UV-filter Right
Door hinge	-	-	-	-	-	-	-	-	-	-
FUNCTIONS										
Defrost process fridge section	Automatic	Automatic	Automatic	Automatic	Automatic	Automatic	Automatic	Automatic	-	-
Electronic display	1 x LED display	1 x LED display	1 x LED display	1 x LED display	1 x LED display	1 x LED display	-	-	-	-
Fast cooling switch	●	●	●	●	●	●	-	-	-	-
DIMENSION AND INSTALLATION										
Climate class	SN-T	SN-T	SN-T	SN-T	SN-T	SN-T	SN-T	SN-T	ST	ST
Height of the product mm	1860	1860	1860	1860	1860	1760	1860	1610	1850	850
Width of the product mm	600	600	600	600	600	600	600	600	595	595
Depth of the product mm	650	650	650	650	650	650	650	650	620	620
Depth with open door 90° mm	1200	1200	-	-	-	-	-	1200	-	1135
Temperature display fridge	-	-	-	-	-	-	-	-	-	-
Type of control	-	-	-	-	-	-	Mechanical	Mechanical	-	-
EAN code	4242002739205	4242002740225	4242002696065	4242002721668	4242002696065	4242002692340	4242002693965	4242002693026	4242002465555	4242002465548

¹ EC rating scheme designed to compare energy efficiency of comparable appliances.

² Climate Class SN: Room temperatures +10°C to +32°C

Climate Class N: Room temperatures +16°C to +32°C

Climate Class ST: Room temperatures +18°C to +38°C

Climate Class T: Room temperatures +18°C to +43°C

³ [●●●●] Freezer at -18°C or less, for fresh & frozen food.

⁴ Freezer capacity quoted may only be attained by switching to constant operation and not on a 24 hour basis.

⁵ Temperature increases from -18°C to -9°C, time taken is when appliance is full. When only partially stocked, less time is involved.

⁶ Actual energy consumption will depend on how the appliance is used and where it is located.

As a guideline A++ means very economical, A+ economical, A is average, and B-G represents a high consumption. Consumption rates are quoted to assist comparisons for different appliances. During actual operation, consumption may vary slightly. All cooling appliances require adequate ventilation (min. 200cm²) Please refer to user / installation instructions. Wine coolers require a ventilation distance of 4cm around the appliance for optimum performance on installation.

Data in this table valid as of October 2014.

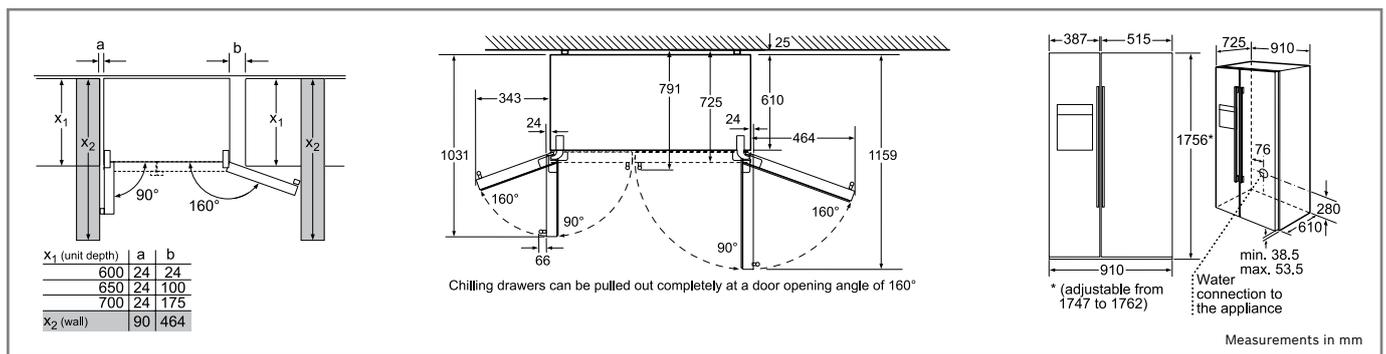
Subject to modification without prior notice.

Freezer specifications

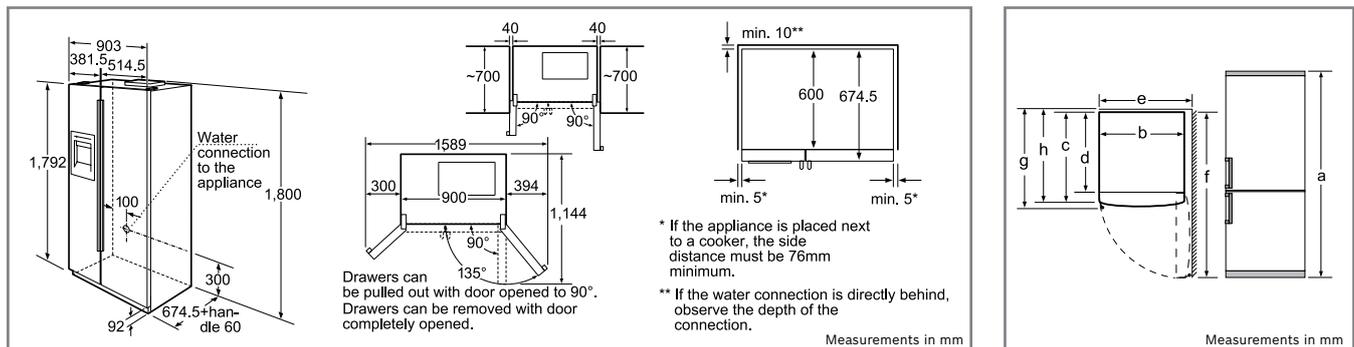
MODEL	UPRIGHT FREEZERS						CHEST FREEZERS						
	Logixx		Exxcel				Classixx			GCM 24AW20G	GCM 28AW20G	GCM 28AW30G	GCM 34AW20G
	GSN 36AW31G	GSN 58AW30G	GSN 36VL30G	GSN 36VB30	GSN 33VW30G	GSN 36VW30G	GSV 36VW30G	GSV 29VW30G	GSV 24VW30	GCM 24AW20G	GCM 28AW20G	GCM 28AW30G	GCM 34AW20G
PERFORMANCE AND CONSUMPTION													
Energy efficiency class	A++	A++	A++	A++	A++	A++	A++	A++	A++	A+	A+	A++	A+
Annual energy consumption kWh	234	301	234	234	225	212	212	194	183	260	292	219	334
Freezer net capacity litres	237	360	237	237	220	237	237	198	173	251	311	311	390
Noise level dB (re 1pW)	42	42	42	42	42	42	42	42	42	42	43	43	42
DESIGN FEATURES													
Main colour of product	White	White	Inox-look	Black	White	White	White	White	White	White	White	White	White
Colour of sides	White	White	Chrome inox-metallic	Black	White	White	White	White	White	-	-	-	-
Type of handle	-	-	-	-	-	-	-	-	-	Aluminium horizontal bar	Aluminium horizontal bar	Aluminium horizontal bar	Aluminium horizontal bar
Reversible door, hinged right	●	●	●	●	●	●	●	●	●	-	-	-	-
LED light	●	●	-	-	-	●	-	-	-	-	-	-	-
Light	-	-	-	-	-	-	-	-	-	●	●	●	●
Defrost process	-	-	-	-	-	-	-	-	Manual	Manual	Manual	Manual	Manual
Number of compressors	1	1	1	1	1	1	1	1	1	1	1	1	1
Number of cooling circuits	1	1	1	1	1	1	1	1	1	1	1	1	1
Number of evaporators	1	1	1	1	1	1	1	-	-	-	-	-	-
FOOD FRESHNESS SYSTEMS													
Temperature adjustable	●	●	●	●	●	●	●	●	●	-	-	-	-
KEY FEATURES - FREEZER SECTION													
No Frost system	●	●	●	●	●	●	●	-	-	-	-	-	-
Number of drawers (including BigBox)	5	5	5	5	5	5	5	5	5	2	2	2	-
Number of freezing flaps	2	3	2	2	2	2	2	3	1	-	-	-	-
Shelf material	Glass	Glass	Glass	Glass	Glass	Glass	Glass	-	-	-	-	-	-
Counterbalanced lockable lid	-	-	-	-	-	-	-	-	-	●	●	●	-
Included accessories: ice packs, ice cube tray	3 / -	- / 1	2 / -	2 / -	2 / -	2 / -	2 / -	1 / 1	2 / 1	-	-	-	-
Included accessories	-	-	-	-	-	-	-	-	-	1 x water defrost tray	1 x water defrost tray	1 x water defrost tray	1 x water defrost tray
Optional accessories	KSZ36AW00	KSZ36AW00	KSZ36AL00	KSZ36AL00	KSZ36AW00	KSZ36AW00	KSZ36AW00	KSZ36AW00	KSZ36AW00	-	-	-	-
FUNCTIONS													
Type of control	-	-	-	-	-	-	-	-	-	-	-	-	Mechanical
Fast freezing switch	●	●	●	●	●	●	●	●	●	●	●	●	●
Temperature adjustable	-	-	-	-	-	-	-	-	-	-	-	-	-
Thermometer	Digital	Digital	Digital	Digital	Digital	Digital	Digital	None	None	-	-	-	-
DIMENSION AND INSTALLATION													
Climate class	SN-T	SN-T	SN-T	SN-T	SN-T	SN-T	SN-T	SN-T	SN-T	SN-T	SN-T	SN-T	SN-T
Connection rating	W 90	90	90	90	90	90	90	90	90	-	-	-	90
Height of the product	mm 1860	1910	1860	1860	1760	1860	1860	1610	1460	916	916	916	916
Width of the product	mm 600	700	600	600	600	600	600	600	600	1010	1180	1180	1405
Depth of the product	mm 650	780	650	650	650	650	650	650	650	743	743	743	743
Depth with open door 90°	mm -	-	-	-	-	-	-	-	-	-	-	-	-
EAN code	4242002740287	4242002693927	4242002693904	4242002693804	4242002693781	4242002693941	4242002693910	4242002693934	4242002688381	4242002711867	4242002711874	4242002710808	4242002711881

Cooling technical diagrams

American Style Fridge Freezers



KAD62V40GB | KAN62V41GB **N.B.** Doors need to be able to be opened to a minimum of 160° angle to allow the drawers to be fully accessible



KAN58A55GB **N.B.** Doors need to be able to be opened to a minimum of 135° angle to allow the drawers to be fully accessible

KGD36VI30G

Fridge freezer specifications

FRIDGE FREEZERS

	Logixx													
MODEL	KGN 36K42	KGN 49AW24G	KGN 39XC32	KGN 39XB32	KGN 39XW32G	KGN 34XL32G	KGN 34XW32G	KGD 36V130G	KGN 36VW31G	KGN 34VL30G	KGN 34VW30G	KGN 34VL20G	KGN 34VB20G	
PERFORMANCE AND CONSUMPTION														
Energy efficiency class	A+++	A+	A+++	A++	A++	A++	A++	A++	A++	A++	A++	A+	A+	
Energy consumption annual kWh/annum	172	329	268	268	268	262	262	239	239	244	244	295	295	
Total unit net capacity l	320	399	355	355	355	305	305	319	319	304	304	280	280	
Refrigerator net capacity	234	307	269	269	269	200	200	233	233	199	199	186	186	
Freezer net capacity	86	92	86	86	86	105	105	86	86	105	105	94	94	
Noise level (dB(A) re 1 pW)	37	43	42	42	42	42	42	42	42	42	42	42	42	
DESIGN FEATURES														
Main colour of product	Inox-easyclean	White	Cast Iron	Black	White	Inox-look	White	Inox-easyclean	White	Inox-look	Inox-look	Inox-look	Black	
Door handle type	Vertical bar handle	Vertical bar handle	Vertical bar handle	Vertical bar handle	Vertical bar handle	Vertical bar handle	Vertical bar handle	Vertical bar handle	Integrated vertical handle	Integrated vertical handle	Integrated vertical handle	Vertical bar handle	Vertical bar handle	
Colour / Material body	Inox-easyclean	White	Cast Iron	Black	White	Inox-look	White	Inox-easyclean	White	Chrome Inox-metallic	Chrome Inox-metallic	Chrome Inox-metallic	Black	
Colour / Material door	Inox-easyclean	White	Cast Iron	Black	White	Stainless steel-look	White	Inox-easyclean	White	Inox-look	Inox-look	Inox-look	Black	
Placement of temperature control	Exterior	Exterior	Exterior	Exterior	Exterior	Exterior	Exterior	-	-	-	-	-	-	
Door hinge position	Right reversible	Right reversible	Right versible	Right reversible	Right reversible	Right reversible	Right reversible	Right reversible	Right reversible	Right reversible	Right reversible	Right reversible	Right reversible	
Cooling circuits	2	2	2	2	2	2	2	2	2	2	2	2	2	
Compressors	1	1	1	1	1	1	1	1	1	1	1	1	1	
Evaporators	-	-	-	-	-	-	-	-	-	-	-	-	-	
Temperature zones fridge	1	1	1	1	-	1	1	1	1	1	1	1	1	
Temperature display fridge	Exterior digital	Exterior digital	Exterior digital	Exterior digital	-	Exterior digital	Exterior digital	-	-	-	-	-	-	
Electronic display	LED	2 x LED	LED	LED	LED	LED	LED	LED	LED	LED	LED	LED	LED	
FOOD FRESHNESS SYSTEM														
Food preservation containers	Chiller Box/ Crisper Box	HydroFresh/ Chiller Box	Chiller Box/ Crisper Box	Chiller Box/ Crisper Box	Chiller Box/ Crisper Box	Chiller Box/ Crisper Box	Chiller Box/ Crisper Box	Chiller Box/ Crisper Box	Chiller Box/ Crisper Box	Chiller Box/ Crisper Box	Chiller Box/ Crisper Box	Crisper Box	Crisper Box	
MultiAirflow system	●	●	●	●	●	●	●	●	●	●	●	●	●	
KEY FEATURES - FRIDGE SECTION														
Thermometer fridge section	Digital	Digital	Digital	Digital	Digital	Digital	Digital	-	-	-	-	-	-	
Range of temperature °C	4-8	4-8	4-8	4-8	4-8	4-8	4-8	4-8	4-8	4-8	4-8	4-8	4-8	
Fast supercool switch	●	●	●	●	●	●	●	●	●	●	●	●	●	
Shelves for bottles	●	●	●	●	●	●	●	●	●	●	●	●	●	
Glass safety shelves in fridge compartment	4	4	5	5	5	4	4	4	4	4	4	4	4	
Number of easy pull-out shelves	2	3	2	2	2	0	0	2	2	2	2	3	3	
Flexishelf for additional storage	-	-	-	-	-	-	-	-	-	-	-	-	-	
Egg racks	1	3	1	1	1	1	1	1	1	1	1	1	1	
Shelves in door	3	4	4	4	4	3	3	3	3	3	3	3	3	
2.5 litre water tank with Brita filter	-	-	-	-	-	-	-	1	-	-	-	-	-	
Light	●	●	●	●	●	●	●	●	●	●	●	●	●	
Door bins in fridge	1	2	2	2	2	1	1	2	2	2	2	2	2	
Easylift flexible shelf in door	-	-	-	-	-	-	-	-	-	-	-	-	-	
KEY FEATURES - FREEZER SECTION														
Freezer drawers	3	3	3	3	3	3	3	3	3	3	3	3	3	
Freezer flaps	-	-	-	-	-	-	-	-	-	-	-	-	-	
Thermometer in freezer section	Digital	Digital	Digital	Digital	Digital	Digital	Digital	Digital	Analog	Analog	Analog	Digital	Digital	
Storage period in power failure hours	17	16	16	16	16	16	16	16	16	16	16	14	14	
Door bins in freezer	-	1	-	-	-	-	-	-	-	-	-	1	1	
NoFrost system	Full	Full	Full	Full	Full	Full	Full	Full	Full	Full	Full	Full	Full	
Defrost process freezer section	NoFrost	NoFrost	NoFrost	NoFrost	NoFrost	NoFrost	NoFrost	NoFrost	NoFrost	NoFrost	NoFrost	NoFrost	NoFrost	
Thaw water drainage system for LowFrost	-	-	-	-	-	-	-	-	-	-	-	-	-	
Door opened indicator freezer	●	●	●	●	●	●	●	●	●	●	●	-	-	
Fast Superfreeze switch	●	●	●	●	●	●	●	●	●	●	●	●	●	
Water dispenser	-	-	-	-	-	-	-	●	-	-	-	-	-	
FUNCTIONS														
Warning signal / malfunction	Visual and audible	Visual and audible	Visual and audible	Visual and audible	Visual and audible	Visual and audible	Visual and audible	Visual and audible	Visual and audible	Visual and audible	Visual and audible	-	-	
DIMENSIONS AND INSTALLATION														
Climate class	SN-T	SN-T	SN-T	SN-T	SN-T	SN-T	SN-T	SN-T	SN-T	SN-T	SN-T	SN-T	SN-T	
Connection Rating	A	160	150	160	160	160	160	160	160	160	160	160	120	
Current	10	10	10	10	10	10	10	10	10	10	10	10	10	
Voltage	V	220-240	220-240	220-240	220-240	220-240	220-240	220-240	220-240	220-240	220-240	220-240	220-240	
Frequency	Hz	50	50	50	50	50	50	50	50	50	50	50	50	
Length electrical supply cord	mm	2400	2400	2400	2400	2400	2400	2400	2400	2400	2400	2400	2400	
Height of the product	mm	1860	2000	2010	2010	2010	1860	1860	1860	1860	1860	1850	1850	
Width of the product	mm	600	700	600	600	600	600	600	600	600	600	600	600	
Depth of the product	mm	650	620	650	650	650	650	650	650	650	650	650	650	
Depth with open door 90 degree	mm	-	1280	-	-	-	-	-	-	-	-	1170	1170	
Included accessories	1 x berry tray, 1 x egg tray, 1 x ice cube tray	2 x ice packs, 1 x berry tray, 2 x egg tray, 2 x ice cube tray	1 x berry tray, 1 x egg tray, 1 x ice cube tray	1 x berry tray, 1 x egg tray, 1 x ice cube tray	1 x berry tray, 1 x egg tray, 1 x ice cube tray	1 x berry tray, 1 x egg tray, 1 x ice cube tray	1 x berry tray, 1 x egg tray, 1 x ice cube tray	1 x berry tray, 1 x egg tray, 1 x ice cube tray	1 x berry tray, 1 x egg tray, 1 x ice cube tray	1 x berry tray, 1 x egg tray, 1 x ice cube tray	1 x berry tray, 1 x egg tray, 1 x ice cube tray	1 x berry tray, 1 x egg tray, 1 x ice cube tray	1 x egg tray, 1 x ice cube tray	1 x egg tray, 1 x ice cube tray
EAN code	4242002609533	4242002703589	4242002609298	4242002609261	4242002609571	4242002609090	4242002609106	4242002773452	4242002741291	4242002725345	4242002725338	4242002709260	4242002709277	

¹ EC rating scheme designed to compare energy efficiency of comparable appliances.

² Climate Class SN: Room temperatures +10°C to +32°C

Climate Class N: Room temperatures +16°C to +32°C

Climate Class ST: Room temperatures +18°C to +38°C

Climate Class T: Room temperatures +18°C to +43°C

³ [●●●●] Freezer at -18°C or less, for fresh & frozen food.

⁴ Freezer capacity quoted may only be attained by switching to constant operation and not on a 24 hour basis.

⁵ Temperature increases from -18°C to -9°C, time taken is when appliance is full. When only partially stocked, less time is involved.

⁶ Actual energy consumption will depend on how the appliance is used and where it is located.

As a guideline A+++ means very economical, A+ economical, A is average, and B-G represents a high consumption. Consumption rates are quoted to assist comparisons for different appliances. During actual operation, consumption may vary slightly. All cooling appliances require adequate ventilation (min. 200cm²) Please refer to user's installation instructions. Wine coolers require a ventilation distance of 4cm around the appliance for optimum performance on installation.

Data in this table valid as of October 2014.
Subject to modification without prior notice.

Exxcel			Classixx												
KGN 34VW20G	KGN 30VW20G	KGN 30VL20G	KGE 36BW41G	KGE 49BW41G	KGE 49BI30G	KGE 39BL40G	KGE 39BW41G	KGE 36BW30G	KGE 36AL32G	KGV 39VL31G	KGV 39VW32G	KGV 36VL32G	KGV 36VW32G	KGV 33VL31G	KGV 33VW30G
A+	A+	A+	A+++	A+++	A++	A+++	A+++	A++	A++	A++	A++	A++	A++	A++	A++
295	266	266	149	175	255	156	223	223	238	238	227	227	219	219	
280	252	252	304	413	413	339	339	304	304	342	342	309	309	288	
186	186	186	215	301	301	250	250	215	215	248	248	215	194	194	
94	66	66	89	112	112	89	89	89	89	94	94	94	94	94	
42	42	42	38	34	39	38	38	38	38	39	39	39	39	39	
White	White	Inox-look	White	White	Inox-easyclean	Inox-look	White	White	Inox-look	Inox-look	White	Inox-look	White	Inox-look	White
Vertical bar handle	Vertical bar handle	Vertical bar handle	Vertical bar handle	Vertical bar handle	Vertical bar handle	Vertical bar handle	Vertical bar handle	Vertical bar handle	Vertical bar handle	Vertical bar handle	Integrated vertical handle	Integrated vertical handle	Integrated vertical handle	Integrated vertical handle	Integrated vertical handle
White	White	Inox-look	White	White	Inox-easyclean	Inox-look	White	White	Inox-look	Inox-look	White	Inox-look	White	Inox-look	White
White	White	Stainless steel-look	White	White	Inox-easyclean	Stainless steel-look	White	White	Stainless steel-look	Stainless steel-look	White	Stainless steel-look	White	Stainless steel-look	White
-	-	-	-	Interior	Interior	Interior	Interior	-	-	-	-	-	-	-	-
Right reversible	Right reversible	Right reversible	Right reversible	Right reversible	Right reversible	Right reversible	Right reversible	Right reversible	Right reversible	Right reversible	Right reversible	Right reversible	Right reversible	Right reversible	Right reversible
2	2	2	2	2	2	2	2	2	2	1	1	1	1	1	1
1	1	1	1	1	1	1	1	1	1	1	1	1	1	1	1
-	-	-	-	-	-	-	-	-	-	-	-	-	-	-	-
1	1	1	1	1	1	1	1	1	1	1	1	1	1	1	1
-	-	-	-	Interior digital	Interior digital	Interior digital	Interior digital	-	-	-	-	-	-	-	-
LED	LED	LED	LED	LED	LED	LED	LED	LED	LED	LED	LED	LED	LED	LED	LED
Crisper Box	Crisper Box	Crisper Box	Chiller Box/ Crisper Box	Chiller Box/ Crisper Box	Chiller Box/ Crisper Box	Chiller Box/ Crisper Box	Chiller Box/ Crisper Box	Chiller Box/ Crisper Box	Chiller Box/ Crisper Box	Crisper Box	Crisper Box	Crisper Box	Crisper Box	Crisper Box	Crisper Box
●	●	●	-	●	●	-	-	-	-	-	-	-	-	-	-
-	-	-	-	Digital	Digital	Digital	Digital	-	-	-	-	-	-	-	-
4-8	4-8	4-8	4-8	4-8	4-8	4-8	4-8	4-8	4-8	4-8	4-8	4-8	4-8	4-8	4-8
-	-	-	●	●	●	●	●	●	●	●	●	●	●	●	●
4	4	4	4	3	5	5	5	4	4	5	5	4	4	4	4
3	3	3	2	1	2	2	2	2	2	2	2	2	2	2	2
-	-	-	3	-	4	4	4	2	3	4	4	2	2	2	2
1	1	1	1	1	1	1	1	1	1	1	1	1	1	1	1
3	3	3	3	3	4	4	3	3	3	4	4	3	3	3	3
-	-	-	-	-	-	-	-	-	-	-	-	-	-	-	-
●	●	●	●	●	●	●	●	●	●	●	●	●	●	●	●
2	2	2	1	2	2	2	2	1	1	3	3	2	2	2	1
-	-	-	-	-	-	-	-	-	-	-	-	-	-	-	-
3	3	3	3	3	3	3	3	3	3	3	3	3	3	3	3
-	-	-	-	-	-	-	-	-	-	-	-	-	-	-	-
Digital	-	Digital	-	Digital	-	-	Digital	-	-	-	-	-	-	-	-
14	13	13	35	14	44	35	35	35	35	23	23	23	23	23	23
1	1	1	1	1	-	-	-	-	-	-	-	-	-	-	-
Full	Full	Full	LowFrost	Full	LowFrost	LowFrost	LowFrost	LowFrost	LowFrost	LowFrost	LowFrost	LowFrost	LowFrost	LowFrost	LowFrost
NoFrost	NoFrost	NoFrost	Manual	NoFrost	Manual	Manual	Manual	Manual	Manual	Manual	Manual	Manual	Manual	Manual	Manual
-	-	-	●	-	●	●	●	●	●	●	●	●	●	●	●
-	-	-	●	-	●	●	●	●	●	-	-	-	-	-	-
●	●	●	●	●	●	●	●	●	●	●	●	●	●	●	●
-	-	-	-	-	-	-	-	-	-	-	-	-	-	-	-
-	-	-	Visual and audible	Visual and audible	Visual and audible	Visual and audible	Visual and audible	Visual and audible	Visual and audible	-	-	-	-	-	-
SN-T	SN-T	SN-T	SN-T	SN-T	SN-T	SN-T	SN-T	SN-T	SN-T	SN-T	SN-T	SN-T	SN-T	SN-T	SN-T
120	120	120	160	120	160	160	160	160	160	125	125	125	125	125	125
10	10	10	10	10	10	10	10	10	10	10	10	10	10	10	10
220-240	220-230	220-230	220-240	220-240	220-240	220-240	220-240	220-240	220-240	220-240	220-240	220-240	220-240	220-240	220-240
50	50	50	50	50	50	50	50	50	50	50	50	50	50	50	50
2400	2400	2400	2400	2400	2400	2400	2400	2400	2400	2400	2400	2400	2400	2400	2400
1850	1700	1700	1860	1850	2010	2010	2010	1860	1860	2010	2010	1860	1860	1760	1760
600	600	600	600	600	700	600	600	600	600	600	600	600	600	600	600
650	650	650	650	650	650	650	650	650	650	650	650	650	650	650	650
1170	-	-	-	-	-	-	-	-	-	-	-	-	-	-	-
1 x egg tray, 1 x ice cube tray	1 x egg tray, 1 x ice cube tray	1 x egg tray, 1 x ice cube tray	2 x cold accumulator, 1 x egg tray, 1 x ice cube tray	1 x egg tray, 1 x ice cube tray	2 x cold accumulator, 1 x egg tray, 1 x ice cube tray	2 x cold accumulator, 1 x egg tray, 1 x ice cube tray	2 x cold accumulator, 1 x egg tray, 1 x ice cube tray	2 x cold accumulator, 1 x egg tray, 1 x ice cube tray	2 x cold accumulator, 1 x egg tray, 1 x ice cube tray	1 x egg tray, 1 x ice cube tray	1 x egg tray, 1 x ice cube tray	1 x egg tray, 1 x ice cube tray	1 x egg tray, 1 x ice cube tray	1 x egg tray, 1 x ice cube tray	1 x egg tray, 1 x ice cube tray
4242002709284	4242002709246	4242002709253	4242002798387	4242002798752	4242002798806	4242002798745	4242002798752	4242002798639	4242002798370	4242002798936	4242002798943	4242002798927	4242002798934	4242002800684	4242002800820

¹ EC rating scheme designed to compare energy efficiency of comparable appliances.

² Climate Class SN: Room temperatures +10°C to +32°C

Climate Class N: Room temperatures +16°C to +32°C

Climate Class ST: Room temperatures +18°C to +38°C

Climate Class T: Room temperatures +18°C to +43°C

³ [****] Freezer at -18°C or less, for fresh & frozen food.

⁴ Freezer capacity quoted may only be attained by switching to constant operation and not on a 24 hour basis.

⁵ Temperature increases from -18°C to -9°C, time taken is when appliance is full. When only partially stocked, less time is involved.

⁶ Actual energy consumption will depend on how the appliance is used and where it is located.

As a guideline A+++ means very economical, A+ economical, A is average, and B-G represents a high consumption. Consumption rates are quoted to assist comparisons for different appliances. During actual operation, consumption may vary slightly. All cooling appliances require adequate ventilation (min. 200cm²). Please refer to user / installation instructions. Wine coolers require a ventilation distance of 4cm around the appliance for optimum performance on installation.

Data in this table valid as of October 2014.
Subject to modification without prior notice.

Fridge freezer specifications

FRIDGE FREEZERS

MODEL	Classixx					Logixx		
	KGW 36XL30G	KGV 36VB32G	KGV 36VD32S	KGV 36VE32S	KGV 36VH32S	KDN 74AW20N	KDD 74AL20N	KDN 64VL20N
PERFORMANCE AND CONSUMPTION								
Energy efficiency class	A++	A++	A++	A++	A++	A+	A+	A+
Energy consumption annual kWh/annum	227	227	227	227	227	445	445	419
Total unit net capacity l	309	309	309	309	309	561	558	492
Refrigerator net capacity	215	215	215	215	215	400	397	350
Freezer net capacity	94	94	94	94	94	161	161	142
Noise level (dB(A) re 1 pW)	39	39	39	39	39	43	43	44
DESIGN FEATURES								
Main colour of product	Inox-look	Black	Espresso brown	Stone grey	Lime green	White	Stainless steel look	Stainless steel look
Door handle type	integrated vertical handle	integrated vertical handle	integrated vertical handle	integrated vertical handle	integrated vertical handle	Vertical bar handle	Vertical bar handle	Vertical bar handle
Colour / Material body	Inox-look	Black	Espresso brown	Stone grey	Lime green	White	Stainless steel look	Stainless steel look
Colour / Material door	Stainless steel-look	Black	Satin brown	Stone grey	Lime green	White	Stainless steel look	Stainless steel look
Placement of temperature control	-	-	-	-	-	Exterior	Exterior	Exterior
Door hinge position	Right reversible	Right reversible	Right reversible	Right reversible	Right reversible	Right hinge	Right hinge	Right hinge
Cooling circuits	1	1	1	1	1	1	1	1
Compressors	1	1	1	1	1	1	1	1
Evaporators	-	-	-	-	-	-	-	-
Temperature zones fridge	1	1	1	1	1	1	1	1
Temperature display fridge	-	-	-	-	-	Exterior digital	Exterior digital	Exterior digital
Electronic display	LED	LED	LED	LED	LED	LED	LCD	LED
FOOD FRESHNESS SYSTEM								
Food preservation containers	Crisper Box	Crisper Box	Crisper Box	Crisper Box	Crisper Box	Chiller Box/ Crisper Box	Chiller Box/ Crisper Box	Chiller Box
MultiAirflow system	-	-	-	-	-	●	●	●
KEY FEATURES - FRIDGE SECTION								
Thermometer fridge section	-	-	-	-	-	Digital	Digital	Digital
Range of temperature °C	4-8	4-8	4-8	4-8	4-8	4-8	4-8	4-8
Fast supercool switch	●	-	-	-	-	●	●	●
Shelves for bottles	●	●	●	●	●	-	-	-
Glass safety shelves in fridge compartment	4	4	4	4	4	3	2	3
Number of easy pull-out shelves	2	2	2	2	2	-	-	2
Flexishelf for additional storage	3	2	3	3	3	2	-	-
Egg racks	1	1	1	1	1	1	1	1
Shelves in door	3	3	3	3	3	4	3	4
2.5 litre water tank with Brita filter	●	-	-	-	-	-	●	-
Light	●	●	●	●	●	●	●	●
Door bins in fridge	2	2	2	2	2	-	-	-
Easylift flexible shelf in door	-	-	-	-	-	-	-	-
KEY FEATURES - FREEZER SECTION								
Freezer drawers	3	3	3	3	3	-	-	-
Freezer flaps	-	-	-	-	-	-	-	-
Thermometer in freezer section	-	-	-	-	-	Digital	Digital	Digital
Storage period in power failure hours	23	23	23	23	23	13	13	18
Door bins in freezer	-	-	-	-	-	2	-	-
NoFrost system	LowFrost	LowFrost	LowFrost	LowFrost	LowFrost	Full	Full	Full
Defrost process freezer section	Manual	Manual	Manual	Manual	Manual	NoFrost	NoFrost	NoFrost
Thaw water drainage system for LowFrost	●	●	●	●	●	-	-	-
Door opened indicator freezer	-	-	-	-	-	●	●	●
Fast Superfreeze switch	●	●	●	●	●	●	●	●
Water dispenser	●	-	-	-	-	-	●	-
FUNCTIONS								
Warning signal / malfunction	-	-	-	-	-	Visual and audible	Visual and audible	Visual and audible
DIMENSIONS AND INSTALLATION								
Climate class	SN-T	SN-T	SN-T	SN-T	SN-T	SN-T	SN-T	SN-T
Connection Rating	W 125	125	125	125	125	260	260	205
Current	A 10	10	10	10	10	10	10	10
Voltage	V 220-240	220-240	220-240	220-240	220-240	220-240	220-240	220-240
Frequency	Hz 50	50	50	50	50	50	50	50
Length electrical supply cord	mm 2400	2400	2400	2400	2400	2000	2000	2000
Height of the product	mm 1860	1860	1860	1860	1860	1773	1773	1770
Width of the product	mm 600	600	600	600	600	858	858	768
Depth of the product	mm 650	650	650	650	650	734	734	732
Depth with open door 90 degree	mm -	-	-	-	-	-	-	-
Included accessories	1 x egg tray, 1 x ice cube tray	1 x egg tray, 1 x ice cube tray	1 x egg tray, 1 x ice cube tray	1 x egg tray, 1 x ice cube tray	1 x egg tray, 1 x ice cube tray	1 x egg tray	1 x egg tray	1 x egg tray
EAN code	4242002800448	4242002799810	4242002799353	4242002799360	4242002799377	4242002730189	4242002730967	4242002707792

¹ EC rating scheme designed to compare energy efficiency of comparable appliances.

² Climate Class SN: Room temperatures +10°C to +32°C

Climate Class N: Room temperatures +16°C to +32°C

Climate Class ST: Room temperatures +18°C to +38°C

Climate Class T: Room temperatures +18°C to +43°C

³ [●●●●] Freezer at -18°C or less, for fresh & frozen food.

⁴ Freezer capacity quoted may only be attained by switching to constant operation and not on a 24 hour basis.

⁵ Temperature increases from -18°C to -9°C, time taken is when appliance is full. When only partially stocked, less time is involved.

⁶ Actual energy consumption will depend on how the appliance is used and where it is located.

As a guideline A++ means very economical, A+ economical, A is average, and B-G represents a high consumption. Consumption rates are quoted to assist comparisons for different appliances. During actual operation, consumption may vary slightly. All cooling appliances require adequate ventilation (min. 200cm³) Please refer to user / installation instructions. Wine coolers require a ventilation distance of 4cm around the appliance for optimum performance on installation.

Data in this table valid as of October 2014.
Subject to modification without prior notice.

Fridge freezer specifications

AMERICAN STYLE

	Exxxel		Classixx	
MODEL	KAD 62V40GB	KAN 62V41GB	KAN 58A55GB	
PERFORMANCE AND CONSUMPTION				
Energy efficiency class	A+	A+	A+	
Annual energy consumption	kWh 455	497	427	
Total unit net capacity	litres 562	604	501	
Refrigerator net capacity	litres 385	385	346	
Freezer net capacity	litres 177	219	164	
Noise level dB (re 1pW)	44	44	45	
DESIGN FEATURES				
Main colour of product	Inox-look	Inox-look	Black	
Colour of sides	Chrome inox-metallic	Chrome Inox-metallic	Black	
Type of handle	Vertical bar handle	Vertical bar handle	Vertical bar handle	
Door hinge	Left and right	Left and right	Left and right	
Number of compressors	1	1	1	
Number of cooling circuits	2	2	1	
Number of evaporators	2	2	1	
FOOD FRESHNESS SYSTEMS				
Range of temperatures	°C 4-8	4-8	4-8	
Humidity control drawer	●	-	-	
Anti Bacterial	●	●	-	
Food preservation containers	CoolBox	CoolBox	CoolBox	
MultiAirflow system	●	●	●	
KEY FEATURES - FRIDGE SECTION				
No. of temperature zones fridge	1	1	1	
Number of glass safety shelves in fridge compartment	4	4	3	
Number of adjustable shelves in fridge compartment	3	3	2	
Type of shelves	Full Extension	Full Extension	Stationary	
Drawers with telescopic rails	Partial Extension	Partial Extension	-	
Number of door bins in fridge	2	2	2	
EasyLift flexible shelf in door	●	●	-	
Fast cooling switch	●	●	●	
KEY FEATURES - FREEZER SECTION				
No frost system	Full	Full	Full	
Fast freezing switch	●	●	●	
Shelf adjustability	●	●	-	
Automatic motor-driven ice-maker	●	-	-	
Water filter replacement indicator	-	-	●	
Water tank	●	-	●	
Dispenser - crushed ice, ice cubes, quick ice, water, water filter	●	-	●	
Included accessories: ice-packs/connection hose/egg tray	- / 1 / 1	-	-	
FUNCTIONS				
Electronic display	2 x LED display	2 x LED display	2 x LED display	
DIMENSIONS AND INSTALLATION				
Climate class	SN-T	SN-T	SN-T	
Height of the product	mm 1756	1756	1800	
Width of the product	mm 910	910	900	
Depth of product	mm 725	725	674	
Width with opened door (90°)	mm 948	948	1058	
Depth of the product door open	mm 1158	1158	1144	
EAN code	4242002512464	4242002645681	4242002642116	

¹ EC rating scheme designed to compare energy efficiency of comparable appliances.

² Climate Class SN: Room temperatures +10°C to +32°C

Climate Class N: Room temperatures +16°C to +32°C

Climate Class ST: Room temperatures +18°C to +38°C

Climate Class T: Room temperatures +18°C to +43°C

³  Freezer at -18°C or less, for fresh & frozen food.

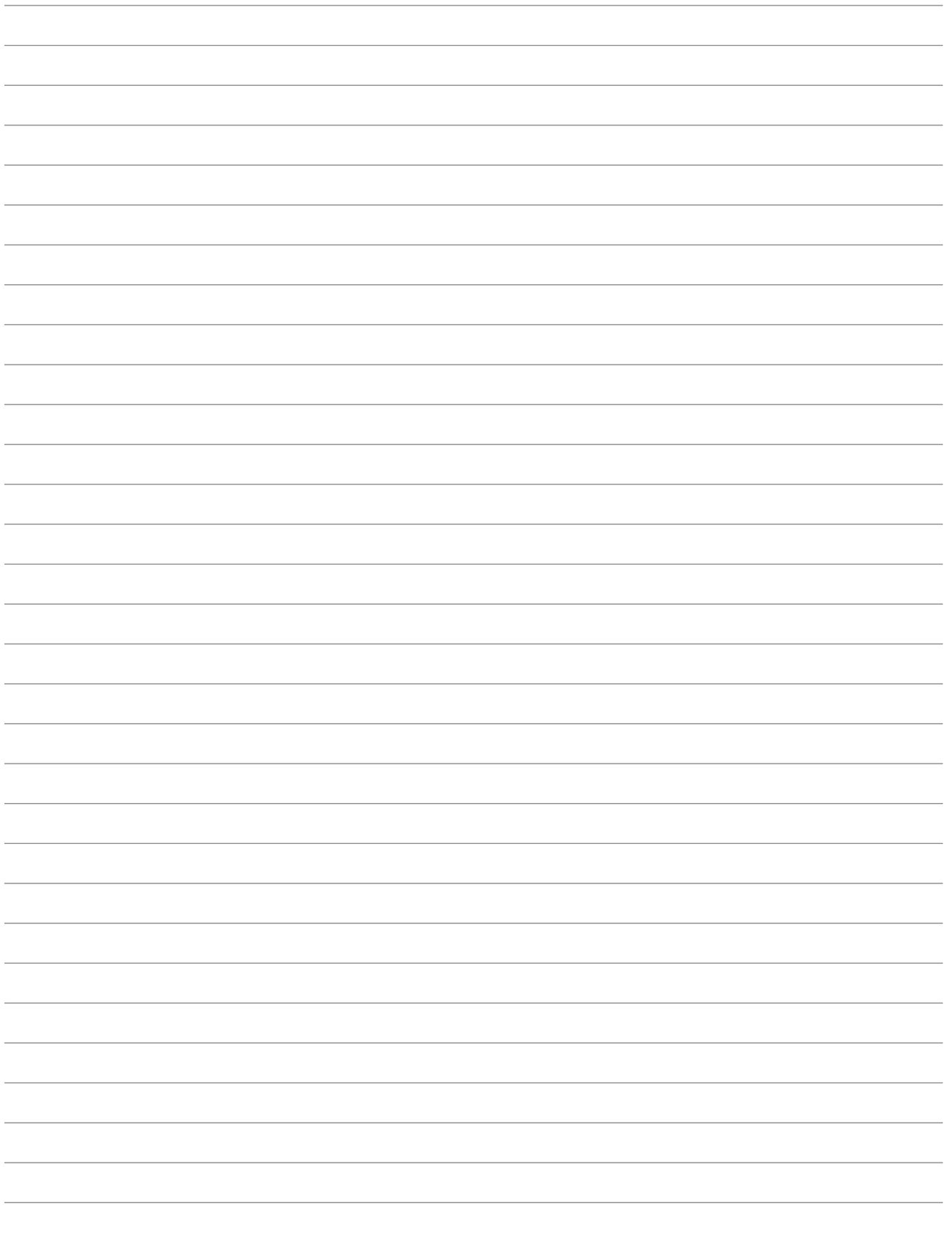
⁴ Freezer capacity quoted may only be attained by switching to constant operation and not on a 24 hour basis.

⁵ Temperature increases from -18°C to -9°C, time taken is when appliance is full. When only partially stocked, less time is involved.

⁶ Actual energy consumption will depend on how the appliance is used and where it is located.

As a guideline A++ means very economical, A+ economical, A is average, and B-G represents a high consumption. Consumption rates are quoted to assist comparisons for different appliances. During actual operation, consumption may vary slightly. All cooling appliances require adequate ventilation (min. 200cm³) Please refer to user / installation instructions. Wine coolers require a ventilation distance of 4cm around the appliance for optimum performance on installation.

Data in this table valid as of October 2014.
Subject to modification without prior notice.





Download a copy of our
built-in catalogue online at
www.bosch-home.co.uk
or call **0344 892 8979**



Contact Bosch Customer Service

To arrange an engineer visit, obtain product advice or order replacement spare parts or accessories visit www.bosch-home.co.uk or call **0344 892 8979**

Republic of Ireland customers should visit www.bosch-home.ie to arrange an engineer's visit, or to order spare parts and accessories, or call **(01) 450 2655**

Follow us on:



Bosch Home UK



@BoschHomeUK

Bosch

Grand Union House
Old Wolverton Road, Wolverton
Milton Keynes MK12 5PT
www.bosch-home.co.uk

Origo (Republic of Ireland)

Magna Drive, Magna Business Park
City West, Dublin 24
Tel: (0)1 4666700 Fax: (0)1 4666706
www.origo.ie
www.bosch-home.ie

Calls are charged at the basic rate, please check with your telephone service provider for exact charges.

Disclaimer: This brochure is current as from the publication date and supersedes all previous brochures for these products. This brochure should not be regarded as an infallible guide nor as an offer for sale of any particular product. Whilst BSH Home Appliances Ltd believes that all information contained within this brochure is correct at the time of going to print, no representation or warranty, express or implied, is or will be made and no responsibility or liability is or will be accepted by BSH Home Appliances Ltd in relation to the accuracy or completeness of this information and any liability is expressly disclaimed. To the extent permitted by law, BSH Home Appliances Ltd expressly excludes: i) all conditions, warranties and other terms which might otherwise be implied by statute, common law or the law of equity and ii) any liability for any direct, indirect or consequential loss or damage (including, without limitation, damages for loss of business or loss of profits) arising in contract, tort or otherwise from the use of or reliance on any information contained within this brochure or from any action or decision taken as a result of such use or reliance. BSH Home Appliances Ltd reserves the right to modify technical data and all other information contained within this brochure without notice. All rights reserved. No part of this publication may be reproduced in any form or without the prior written permission of BSH Home Appliances Ltd. All colour variations are due to the limitations of the printing process. This brochure is printed on environment-friendly chlorine-free bleached paper.

October 2014

