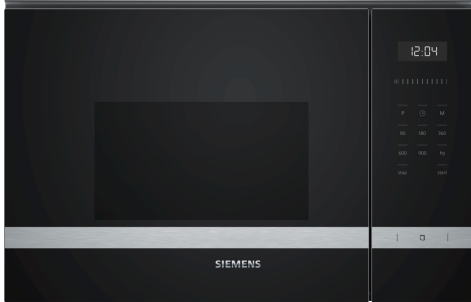


**iQ500, Built-in microwave oven,  
59 x 38 cm, Stainless steel  
BF555LMS0B**



Included accessories	
1 x Turntable	
Optional accessories	
HZ86D000	Steamer Cooker Accessory for Microwave

38 cm high built-in microwave for defrosting, reheating or preparation of dishes in the shortest possible time.

- ✓ Automatic programs ensure excellent results - cookControl7.
- ✓ The touchControl allows the temperature to be controlled by entering it directly or by moving the slider with a single finger.
- ✓ 900 Watts maximum: ideal for heating liquids
- ✓ The side-opening hinged door: ideal for elevated installation.

**Features**

**Technical Data**

Additional functions:	..... Microwave only
Control panel:	..... Electronic
Dimensions:	..... 382 x 594 x 388 mm
Cavity dimensions:	..... 208.0 x 328.0 x 369.0 mm
Length of electrical supply cord:	..... 130.0 cm
Weight:	..... 17.3 kg
Gross weight:	..... 20.4 kg
EAN code:	..... 4242003805725
Max. microwave power:	..... 900 W
Connection Rating:	..... 1450 W
Fuse protection:	..... 10 A
Nominal power:	..... 230-240 V
Frequency:	..... 50 Hz
Plug type:	..... GB plug
Included accessories:	..... 1 x Turntable



## iQ500, Built-in microwave oven, 59 x 38 cm, Stainless steel BF555LMS0B

### Features

#### Design

- Cavity inner surface: stainless steel
- LED display, White display with blue indicator lights
- Touch control, touchSlider, Start button
- Left hinged door
- 31.5 cm Glass turntable

#### Features

- Automatic safety switch off
- Door contact switch
- cookControl, 7
- LED light
- Electronic oven clock timer
- Electronic door opening button
- Integral cooling fan

#### Programmes/functions

- Maximum microwave power level: 900 W and the following options  
180 W, 360 W, 600 W, 90 W, 900 W
- 4 defrost and 3 cooking programmes in microwave function
- 1 memory setting

#### Accessories

- 1 x Turntable

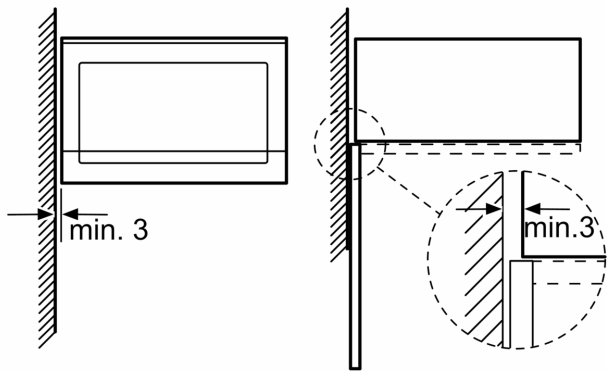
#### Performance/technical information

- Cavity volume: 25 l
- 130 cm Cable length
- Total connected load electric: 1.45 KW
- Nominal voltage: 230 - 240 V
- Appliance dimension (hxwx): 382 mm x 594 mm x 388 mm
- Niche dimension (hxwx): 380 mm - 382 mm x 560 mm - 568 mm x 550 mm
- Please refer to the dimensions provided in the installation manual

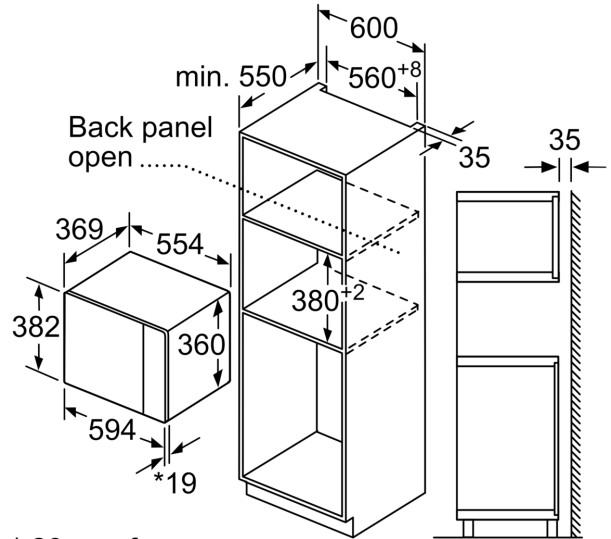
**iQ500, Built-in microwave oven,  
59 x 38 cm, Stainless steel  
BF555LMS0B**

Dimensioned drawings

Microwave,  
corner installation

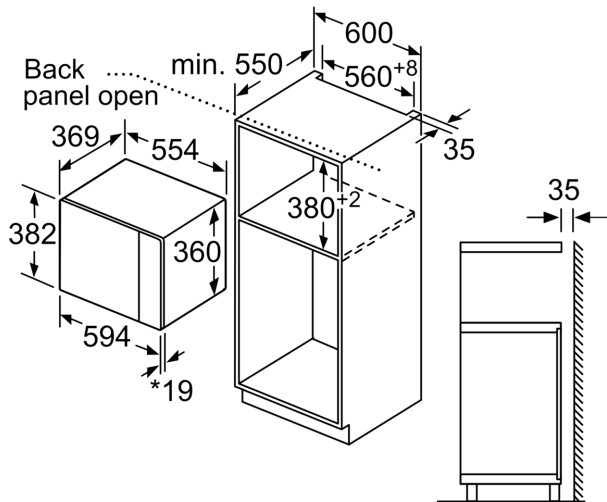


Measurements in mm



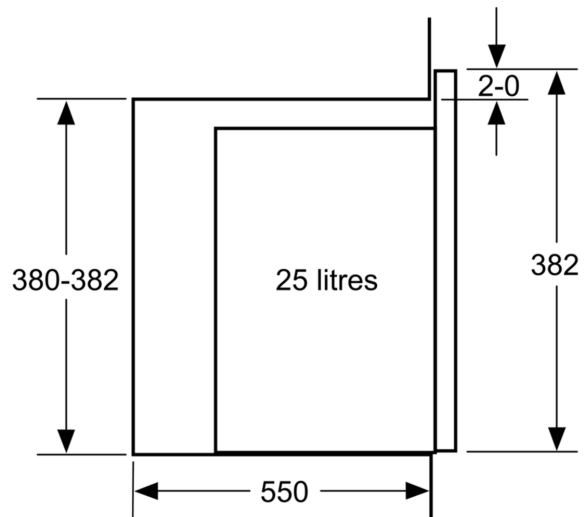
\* 20 mm for  
metal fascia

measurements in mm



\* 20 mm for metal fascia

measurements in mm



measurements in mm