



---

**Stanley Stoves**

---



# *Restoring the Perfect Balance*

At the heart of the home, Waterford Stanley has been creating a distinct ambience of warmth and togetherness for generations.

In today's world where time is a precious luxury, a Stanley stove restores what a hectic lifestyle often denies. So take a moment and unwind in an atmosphere of warmth and relaxation and enjoy the peace of mind that only Waterford Stanley brings.

Inspired by tradition and heritage, Waterford Stanley has justly earned a reputation for pride in craftsmanship and commitment to excellence, which is why Stanley cast iron stoves are Ireland's most popular.

Superior efficiency, performance and precision control make Stanley the clear choice.

**STANLEY™**



# Cleaner Stoves for a Greener Life

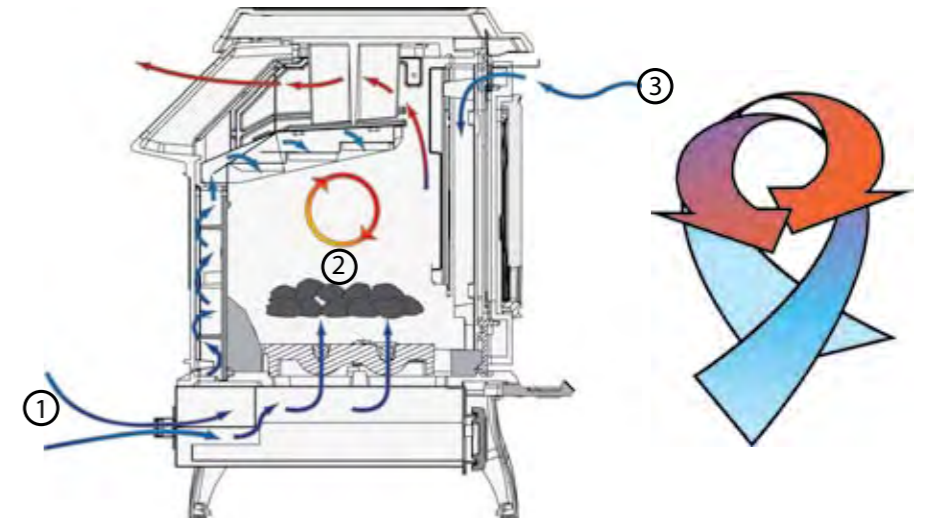


## Better for you, better for nature

Engineered to optimise heat output while reducing fuel costs, Stanley stoves are up to three times more efficient than an open fire. While a traditional open fire loses most of its heat through the chimney, a cast iron Stanley stove retains this heat, steadily releasing it back into the room for a relaxing warmth that lasts and lasts.

### Stanley's Unique Clean Burn Technology

Stanley stoves incorporate clean burn technology which controls air flow in the firebox and essentially burns the fuel for a second time. This maximises the stove's heat efficiency and protects the environment from harmful emissions.



1. Controllable primary air sets the rate of combustion.
2. Preheated secondary air burns off and reignites small particles and impurities giving maximum heat efficiency and reduces smoke emissions.
3. A cool air wash system keeps the window clean for a clear view of the fire.  
*\*Air wash works at optimum efficiency at high burn rate settings*

### Leading the way, naturally...

Burning wood in your Stanley stove is a cost effective and environmentally friendly method of heating your home. Wood is a renewable energy source which can be replaced over a short number of years compared to other fuels which take thousands of years to form. Wood is considered a carbon neutral fuel. As part of the process of photosynthesis trees absorb carbon dioxide from the atmosphere. When you burn a log on a fire it will only release the same amount of carbon dioxide as it absorbed while living.



*Flexible,  
to meet your demands*



## The beginning of a beautiful friendship

Busy lifestyles demand a home that's flexible enough to respond to your needs. From fuel type to functionality and design, discover the Stanley stove that's been designed with you in mind, the perfect complement to your home and unique lifestyle.

### Fuel



#### Solid Fuel:

Enjoy the warm glow and flame of a real fire that's efficient and offers superior cost savings. Guaranteed heat whatever the weather as you don't need to worry about supply failures or powercuts.



#### Oil:

Offering the warmth of a real fire, oil provides constant heat and the peace of mind of a reliable and readily available heating source.



#### Gas:

Clean, efficient with instant control at your fingertips to meet the demands of a busy lifestyle.



#### Electric:

Ideal for apartments or rooms without a chimney, the electric stove is perfect for creating an immediate real fire effect. Simply switch on to enjoy.



#### Wood Pellet:

Offering the warmth and comfort of wood, pellets are highly efficient, clean burning and do not contribute to climate change.

### Function and Performance

In addition to providing room heat, Stanley stoves can provide hot water and central heating. Both functions are available with certain models.

*\*Select your required function:*



#### Non Boiler / Room Only:

Provides direct heat to your chosen room or area.



#### Domestic Hot Water (DHW):

Provides the household with hot water for their daily requirements.



#### High Power Boiler (HPB):

The stove provides central heating for other rooms.

*\*See Stanley stoves according to function on page 19.*

### Colour

Available in classic matt black and enamel colours to enhance any living space, the richness of a Stanley stove lies in its lustrous finish. The enamel is applied with impeccable skill and craftsmanship to produce a stove of exceptional beauty.



Matt Black



Majolica Brown



Enamel Black



Blue

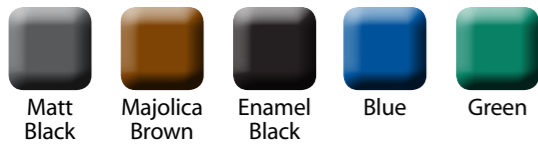


Green



Matt Black solid fuel Oisin\*

\*The visible flame will be influenced by variables such as fuel type, draught conditions and operational settings



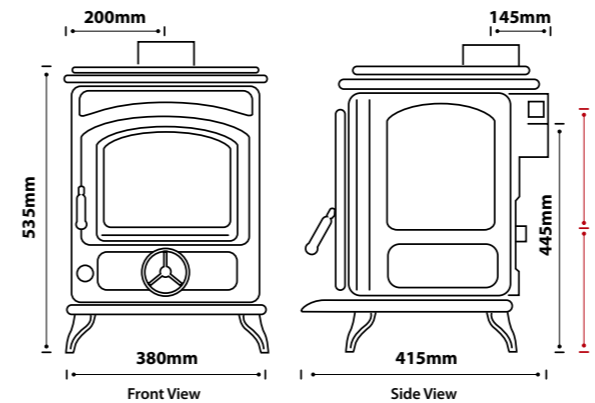
Print colours may not necessarily reflect the actual colour of stove.  
Drop in to your local Stanley stockist for precise colours.  
6 week lead time on Blue and Green Enamel stoves.



Majolica brown oil Oisin<sup>1</sup>

# Oisin

The Oisin is one of our small stoves and offers high heat output with great efficiency. With an efficiency rating of up to 79.4%<sup>2</sup> this stove comes in a choice of solid fuel, gas or oil models. Its compact design ensures that it will fit easily into your home and it is ideal for small rooms and apartment living. The Oisin is the obvious choice for those who want convenience in a compact space.

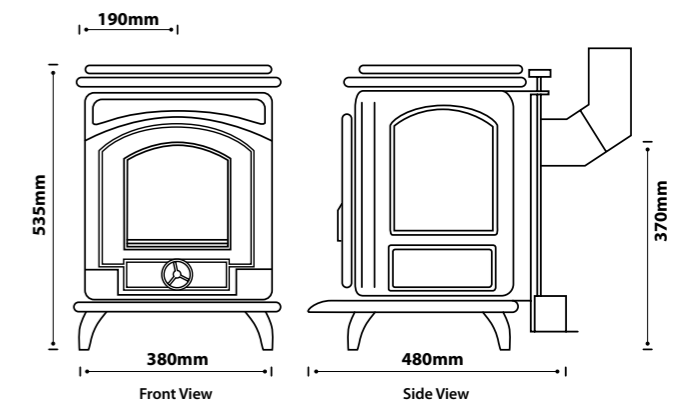


Dimensions in red apply to solid fuel Oisin model only

## Solid Fuel/Gas

- Removable ash pan (solid fuel only)
- Manual piezo ignition (gas only)
- Controllable heat output
- High heat efficiency
- Top and rear flue exit
- Domestic hot water boiler option available (solid fuel only)
- Flame supervision and vent shut-off devices (gas only)

NB



Dimensions stated may be subject to slight +/- variation. Flue size 5"

## Oil

- Barometric damper stabilises and regulates flue draft to ensure constant heat output
- Heat resistant glass
- Real coal fire effect included as standard<sup>1</sup>
- Rear flue exit
- Optional 90° bend available for vertical flue configuration

NB

<sup>1</sup>The visible flame will be influenced by variables such as draught conditions and operational settings  
<sup>2</sup>Applies to solid fuel model



Matt black solid fuel Oscar\*

\*The visible flame will be influenced by variables such as fuel type, draught conditions and operational settings

# Oscar

Featuring similar classic styling to the Oisín, the Oscar is perfect if you have a little more space available. Offering increased output of up to 7kW the compact design fits easily into your home and gives optimum heat to medium sized rooms.

## Solid Fuel

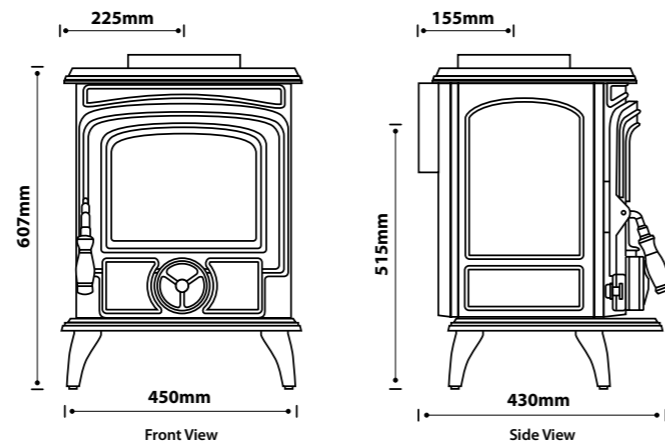
- Removable ash-pan
- High heat efficiency
- Controllable heat output
- Top & rear flue exit
- Clean burn technology

NB



Matt Black

Print colours may not necessarily reflect the actual colour of stove. Drop in to your local Stanley stockist for precise colours.



Dimensions stated may be subject to slight +/- variation. Flue size 5"



Matt black solid fuel Fionn\*

\*The visible flame will be influenced by variables such as fuel type, draught conditions and operational settings

# Fionn

Another one of our small stoves, the Fionn offers efficiency and economy in a compact design. It is suitable for wood, coal and smokeless fuel. Drawing on successful designs from the past, this traditional box stove is one of only two in the Stanley collection that offers a hotplate.

## Solid Fuel

- Removable ash pan
- Boiler model heats up to 2-3 radiators
- Non-boiler option available
- Hotplate on top
- Top and rear flue exit
- Clean burn technology

NB

HPB



Matt Black



Majolica Brown



Enamel Black

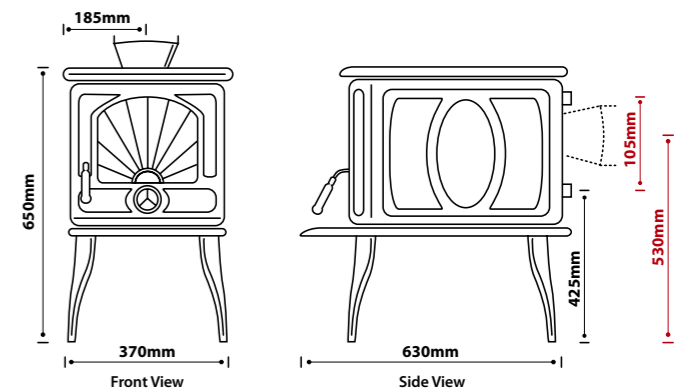


Blue



Green

Print colours may not necessarily reflect the actual colour of stove. Drop in to your local Stanley stockist for precise colours. 6 week lead time on Blue and Green Enamel stoves.



Dimensions in red apply to Fionn boiler model only. Dimensions stated may be subject to slight +/- variation. Flue size 6"



Matt Black solid fuel Tara\*

\*The visible flame will be influenced by variables such as fuel type, draught conditions and operational settings.



Print colours may not necessarily reflect the actual colour of stove.  
Drop in to your local Stanley stockist for precise colours.  
6 week lead time on Blue and Green Enamel stoves.



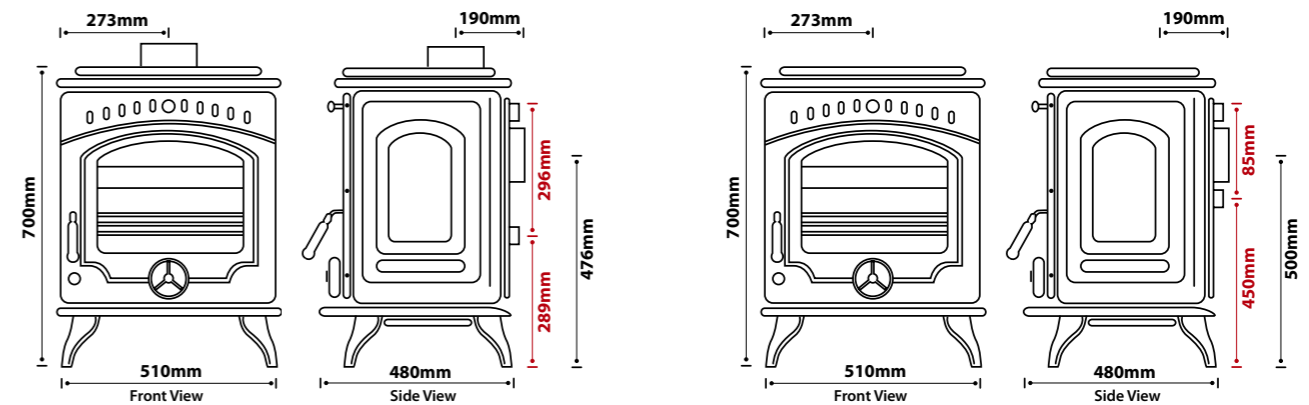
Black enamel electric Tara\*

# Tara

The Tara, a medium sized stove in our collection has all the flexibility to suit your lifestyle. With simple, easy to use controls this stove offers first-rate efficiency and durability and comes in a choice of solid fuel, oil or electric models.

The Tara electric is the easiest stove in the Stanley collection to install – you simply plug it in. There is no need for a chimney or a flue so it is ideal in areas such as conservatories and houses without a chimney. With a real-fire effect, the flame can be used with or without the 1kW or 2 kW heat settings

Dimensions for Tara Electric model: (W)545 x (H)715 x (D)425.



Dimensions stated may be subject to slight +/- variation. Flue size 6" (solid fuel) 5" (oil)  
Dimensions in red apply to NB (solid fuel) & DHW (oil) models only

## Solid Fuel

- Removable ash-pan, fire fence and front ash-tray
- Boiler model heats up to 5-6 radiators
- Easily removable boiler cleaning door
- Overnight burning capability
- Suitable for burning wood, coal, anthracite and peat briquettes
- Top and rear flue exit



## Oil

- Electric ignition
- DHW model provides 5kW heat to the room and 3kW to the boiler
- Non boiler model provides 8kW of heat to the room
- Barometric damper stabilises and regulates flue draft to ensure constant heat output
- Rear flue exit
- Optional 90° bend available for vertical flue configuration

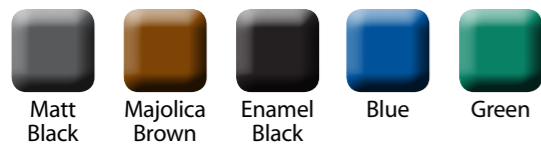


\*The visible flame will be influenced by variables such as draught conditions and operational settings



Enamel Black solid fuel Ashling\*

\*The visible flame will be influenced by variables such as fuel type, draught conditions and operational settings



Print colours may not necessarily reflect the actual colour of stove.  
Drop in to your local Stanley stockist for precise colours.  
6 week lead time on Blue and Green Enamel stoves.

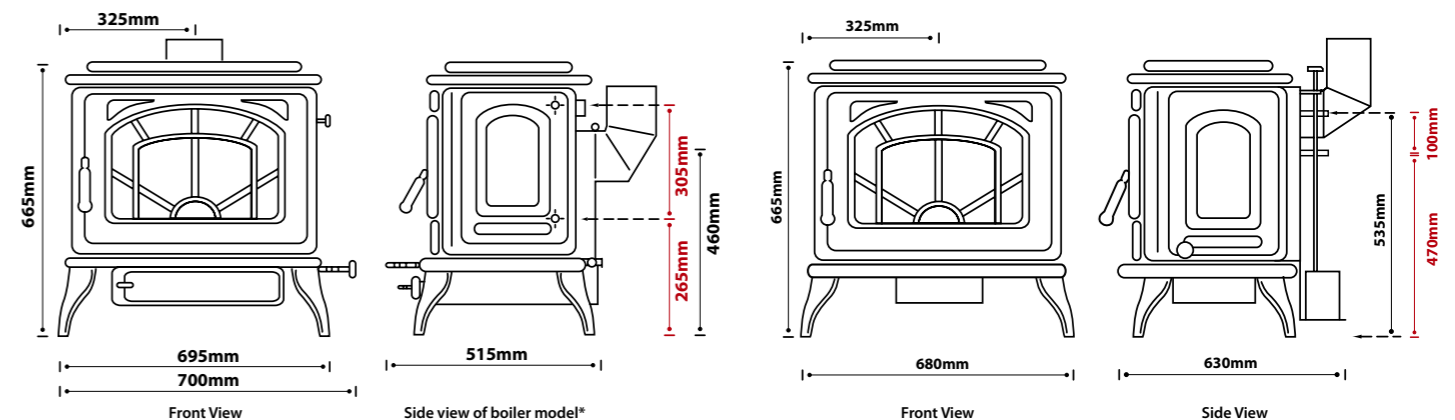


Majolica brown oil Ashling<sup>1</sup>

# Ashling

The Ashling is one of our larger stoves and creates a perfect focal point for your living room or kitchen. Available in solid fuel or oil models this stove features a distinctive pebbled door surround with a beautiful paned effect window.

The optional hotplate is a remarkable feature of the solid fuel model and makes it ideal for a family home. The oil fired model allows you to control the burn rate to suit your needs — so you can direct more heat into the room for maximum efficiency. Once fired the oil Ashling can operate without an electricity supply.



Dimensions in red apply to Ashling non-boiler model only.  
Dimensions stated may be subject to slight +/- variation.  
Flue size 6" (solid fuel) 5" (oil). \*For side view of non boiler see pg 15

## Solid Fuel

- Removable ash pan & hi-chrome removable shaker grate system for easy cleaning
- Solid fuel boiler heats 6–7 radiators
- Automatic thermostat control (HPB model)
- Suitable for burning wood, coal, anthracite and peat briquettes
- Air wash facility to clean stove window
- Top and rear flue exit (non boiler model)
- Rear flue exit (HPB model)



## Oil

- Available in non boiler and DHW models
- Electric ignition with easily accessible controls
- Barometric damper stabilises and regulates flue draft to ensure constant heat output
- Real coal fire effect as standard<sup>1</sup>
- Large viewing window with heat resistant glass
- Rear flue exit
- Optional 90° bend available for vertical flue configuration



<sup>1</sup>The visible flame will be influenced by variables such as draught conditions and operational settings





Black enamel solid fuel Grainne\*

\*The visible flame will be influenced by variables such as fuel type, draught conditions and operational settings

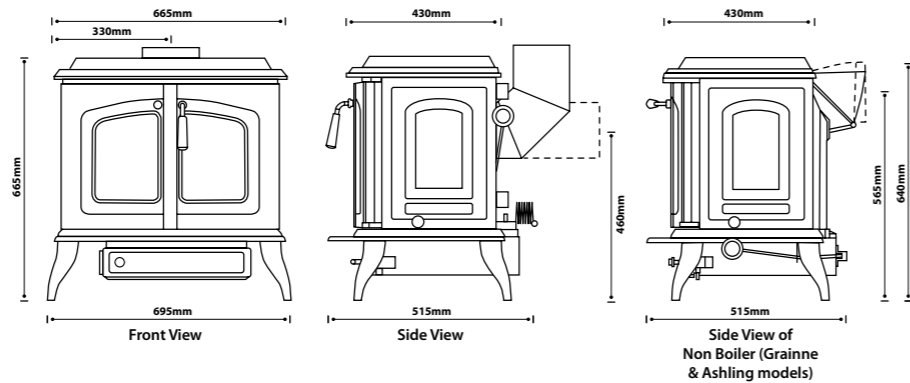
# Grainne

The Grainne combines classic Stanley stove design with clean lines and contemporary good looks. The larger viewing window showcases the real fire effect while maintaining superb efficiency. Its innovative details include a removable handle as an additional safety feature making it ideal for family homes.

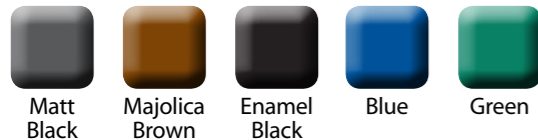
## Solid Fuel

- Hi-chrome removable shaker grate system
- Air wash facility to help maintain a clean stove window
- Safety locking doors
- Top and rear flue exit (non boiler model)
- Rear flue exit (HPB model)
- Boiler model heats up to 6-7 radiators
- Clean burn technology

NB HPB



Dimensions stated may be subject to slight +/- variation. Flue size 6"



Print colours may not necessarily reflect the actual colour of stove. Drop in to your local Stanley stockist for precise colours. 6 week lead time on Blue and Green Enamel stoves.



Matt black gas Maeve\*

\*The visible flame will be influenced by variables such as fuel type, draught conditions and operational settings

# Maeve

The Maeve allows you to enjoy the experience of traditional stove heating with the convenience of gas. This medium sized stove has a modern design that combines style and performance and is perfect for contemporary homes or apartment living.

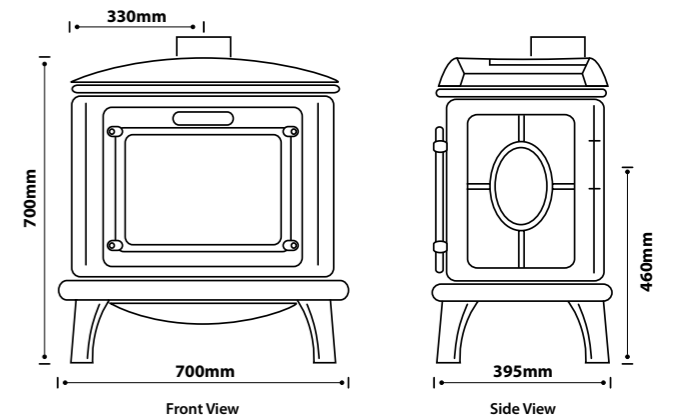
## Gas

- Adjustable flame setting
- Flame failure device
- Multi-purpose control knob
- Natural gas or LPG
- Log effect only available on balanced flue models – for rooms without a chimney.\*
- Coal effect only available on B vent models – for rooms with a conventional chimney

NB



Print colours may not necessarily reflect the actual colour of stove. Drop in to your local Stanley stockist for precise colours.

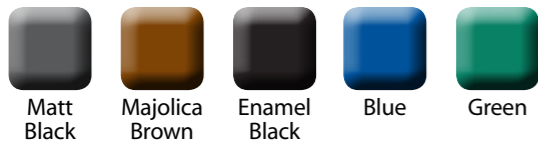


Dimensions stated may be subject to slight +/- variation. Flue size 5"  
\*Balanced flue models require an external wall for installation.



Majolica brown solid fuel Erin (boiler model)\*

\*The visible flame will be influenced by variables such as fuel type, draught conditions and operational settings



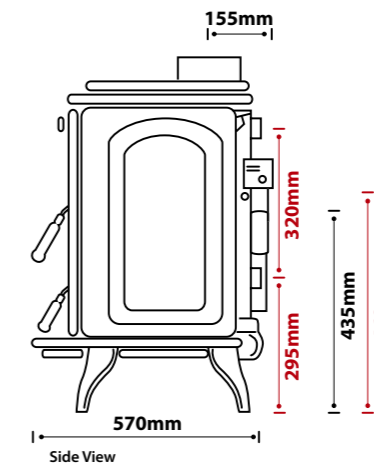
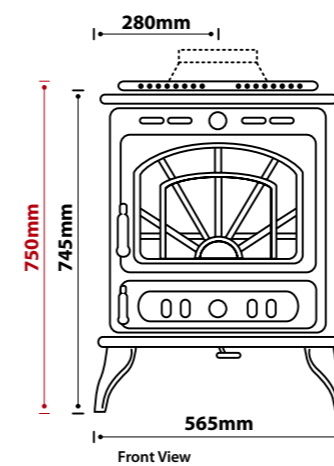
Print colours may not necessarily reflect the actual colour of stove.  
Drop in to your local Stanley stockist for precise colours.  
6 week lead time on Blue and Green Enamel stoves.



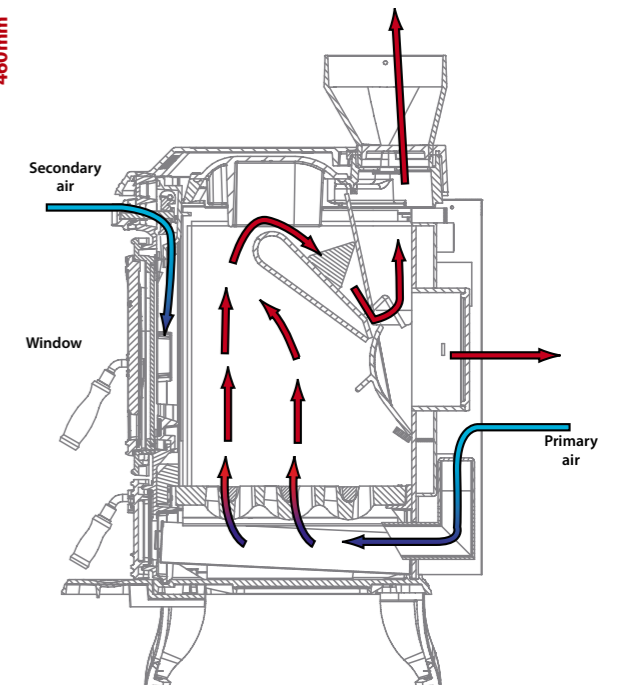
Majolica brown solid fuel Erin (non boiler)\*

# Erin

As one of our largest and most popular stoves the Erin not only heats up to 9 radiators but also provides a plentiful source of hot water for your home. Its versatility means that it can burn wood, coal, peat briquettes or smokeless fuel. The Erin features a thermostatic (water temperature) control as well as clean burn technology with primary and secondary air intakes for optimum control. Combining the power and efficiency of its heat output, the Erin is the right choice for the larger home.



Dimensions in red apply to Erin boiler model only.  
Dimensions stated may be subject to slight +/- variation. Flue size 6"



## Solid Fuel

- Removable ash pan
- Easy action riddling
- High output boiler heats up to 9 radiators
- Non boiler version also available
- Overnight burning capacity
- Automatic thermostatic control (boiler model only)
- Air wash facility to clean stove window
- Top and rear flue exit

NB HPB



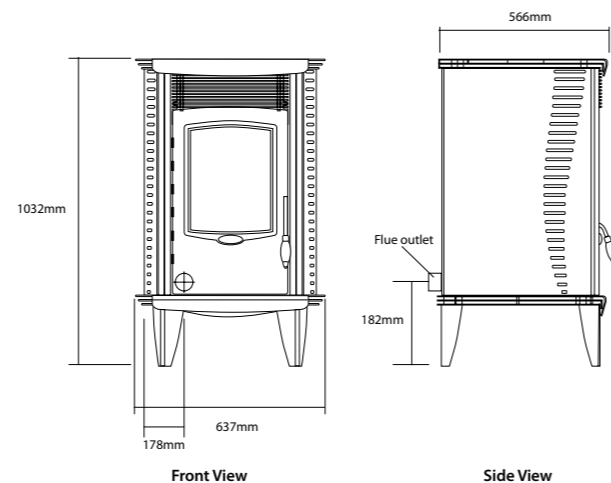


# Fusion Pellet Stove

Clean lines and compact design combine high efficiency, clean burning and automatic control with all the warmth and comfort of wood heating. With a 9kW output, the Fusion provides a beautiful warmth and is suitable for any large room.

## Solid Fuel

- Automatic start up cycle
- Modulating heat output capacity from 3.2kW - 9.1kW
- Built in room thermostat
- Optional remote control thermostat
- 7 day programmer 2 on/off periods per day
- Efficiency > 81%
- Automatic chimney cleaning cycle
- Fan assisted convection air
- Room humidifier
- Automatic overheat and chimney safety shutdown
- Hopper capacity 25kg
- Removable ash tray & burn pot



Matt Black

## Finding the right stove for you

MODELS	OUTPUT KW			FUEL TYPE					COLOURS AVAILABLE					EFFICIENCY RATING
	BOILER	ROOM HEAT	RADIATORS	OIL	NATURAL GAS	ELECTRIC	SOLID FUEL	WOOD PELLETS	FOREST GREEN	MAJOLICA BROWN	BLUE	MATT BLACK	ENAMEL BLACK	
STANLEY STOVES														
Oisin NB		12,300 BTU - 3.6kW		●					■	■	■	■	■	N/A
Oisin NB		13,000 BTU - 3.8kW			●				■	■	■	■	■	N/A
Oisin NB		22,000 BTU - 6.4kW					●		■	■	■	■	■	79.4%
Oscar NB		23,900 BTU - 7kW					●					■	■	79.6%
Fionn HPB	16,000 BTU - 4.7kW	25,000 BTU - 7.3kW	2 or 3				●		■	■	■	■	■	N/A
Fionn NB		32,000 BTU - 9.4kW					●		■	■	■	■	■	N/A
Grainne NB		41,000 BTU - 12kW					●					■	■	75.2%
Grainne HPB	33,100 BTU - 9.7kW	21,100 BTU - 6.2kW	6 or 7				●		■			■	■	78.2%
Tara DHW	6,150 BTU - 1.8kW	10,200 BTU - 3kW		●					■	■	■	■	■	N/A
Tara NB		16,350 BTU - 4.8kW		●					■	■	■	■	■	N/A
Tara Log Effect		6,800 BTU - 2kW				●			■	■	■	■	■	N/A
Tara HPB	27,300 BTU - 8kW	6,800 BTU - 2kW	5 or 6				●		■	■	■	■	■	72%
Tara NB		27,300 BTU - 8kW					●		■	■	■	■	■	77.3%
Maeve NB (B Vent)		17,000 BTU - 5kW			●							■	■	N/A
Maeve NB (Balanced Flue)		17,000 BTU - 5kW			●							■	■	N/A
Ashling DHW	6,150 BTU - 1.8kW	14,350 BTU - 4.2kW		●					■	■	■	■	■	N/A
Ashling NB		20,500 BTU - 6kW		●					■	■	■	■	■	N/A
Ashling HPB	33,100 BTU - 9.7kW	21,100 BTU - 6.2kW	6 or 7				●		■	■	■	■	■	78.2%
Ashling NB		41,000 BTU - 12kW					●		■	■	■	■	■	74.2%
Erin HPB	45,000 BTU - 13.2kW	20,500 BTU - 6kW	9				●		■	■	■	■	■	75.5%
Erin NB		50,100 BTU - 14.7kW					●		■	■	■	■	■	75%
Fusion		3.2kW - 9.1kW						●				■	■	81%

Print colours may not necessarily reflect the actual colour of the stove. Call into your local Stanley stockist for precise colours. Heat outputs are based on laboratory testing. Solid fuel heat output figures are based on burning household coal, outputs may vary with other types of fuel. Calculations are based on average sized radiators. Efficiency ratings quoted are maximum net efficiencies as per EN13240 (third party test results). This brochure is produced as a visual aid and is not intended to replace the installation and users instructions, or the need to view an appliance. N/A = Not available

**Stanley Terms**  
**NB** = Non Boiler  
**HPB** = High Power Boiler  
**DHW** = Domestic Hot Water  
**B Vent** = A standard chimney  
**Balance Flue** = For rooms that do not have a conventional chimney, but do have an external wall.

## Minimum heat output calculator

To calculate the amount of BTU's (British Thermal Units) or kW needed to heat your room simply follow these easy steps:

**STEP 1 – Take the measurements of your room in feet or metres**

Multiply: Length of room x Width of room x Height of room

**STEP 2 – Multiply this figure by a factor of 6 for BTU's or 0.0606 for kW**

**STEP 3 – This is the minimum heat output required to heat this room – now you can choose the right stove for your heat requirements.**

	Length x	Width x	Height	Cubic Measurement x	Conversion Factor	Heat Requirement
Feet	20	20	9	3600 ft <sup>3</sup>	6	21,600 BTU
Metres	6.1	6.1	2.74	102 m <sup>3</sup>	0.0606	6.18 kW

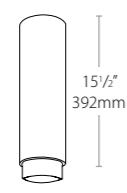
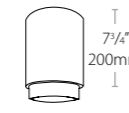

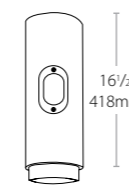
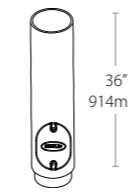
Therefore 21,600 BTU's is the minimum heat output required to heat this room

\* The above calculation should be used only as a guide – the heat output per room may vary depending on the room insulation, position of the room, the number of doors and windows and a number of other factors.

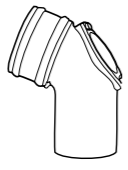
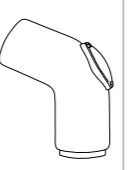
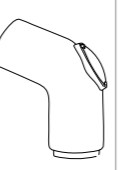
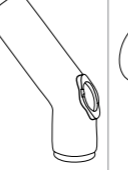
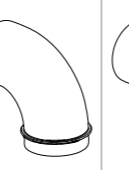
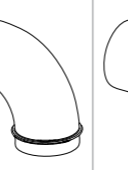

# Looking after your Stanley stove

## Installation and commissioning

Waterford Stanley want you to enjoy the maximum performance from your Stanley products. To ensure this, it is essential that they are installed correctly. We recommend using a suitably qualified installer. To assist you we have a nationwide network of service agents available, as well as a dedicated technical service helpline. Your gas or oil product will be commissioned free of charge. This can be arranged by contacting our service department. Please ask your local Stanley centre or retailer for full details. When installing your Stanley stove, we recommend that you use Stanley parts and flue systems only. A range of cast iron pipes and bends are available for installation purposes. These are available in a choice of colours to suit your appliance.

Pipes					
	15 1/2" 392mm	7 1/4" 200mm	16 1/2" 418mm	16 1/2" 418mm	36" 914mm
	5" pipe straight	5" extension pipe for use with 135° bend	6" pipe straight no access door	6" pipe straight with access door	6" pipe straight with access door
<b>SOLID FUEL</b> : Erin; Ashling; Tara; Fionn; Grainne			✓	✓	✓
<b>SOLID FUEL</b> : Oisín; Oscar	✓	✓			
<b>OIL</b> : Ashling; Tara; Oisín	✓	✓			
<b>GAS</b> : Maeve (conventional); Oisín	✓	✓			

Bends							
	5" 112° Bend	6" 112° Bend	5" 45° Bend	6" 45° Bend	5" 90° Bend	5" 90° Oil Bend	6" 90° Bend
<b>SOLID FUEL</b> : Erin; Ashling; Tara; Fionn; Grainne		✓		✓			✓
<b>SOLID FUEL</b> : Oisín; Oscar	✓		✓		✓		
<b>OIL</b> : Ashling; Tara; Oisín	✓		✓		✓	✓	
<b>GAS</b> : Maeve (conventional); Oisín	✓		✓		✓		

NB: Observe clearance to combustible materials. For further information please consult the installation manual.

## Servicing

In order to ensure the safe operation of your stove we recommend that it is serviced once a year. All gas appliances should be checked regularly by a service engineer.

## Warranty

Waterford Stanley will replace, free of charge, any working part that fails (under normal operating conditions) within 12 months of purchase.

## Spare parts

Your local Stanley Centre or Stanley retailer will be pleased to supply spare parts and to provide any other information you require. Any further product or service information can be obtained by calling the Stanley Sales or Service department.

### For callers in the Republic of Ireland:

Sales dept. 051 302302 Service dept. 051 302333 Lo call: 1850 302502

### For callers in Northern Ireland:

Sales & service 028 8772 2195

You can also contact us on [www.waterfordstanley.com](http://www.waterfordstanley.com) or [www.stanleystoves.com](http://www.stanleystoves.com)

# Choosing from the Waterford Stanley range



## The range cooker experts

Controlled performance, efficiency at your fingertips, traditional craftsmanship and contemporary design all combine to make a Stanley range the modern choice for today's family home. Bringing warmth and character to Irish homes since 1936, Stanley ranges are loved as much for their cooking ability as their excellent build and efficient heating qualities. Radiant heat from all sides of the cast iron oven seals in flavour and its generous oven size provides for every table size and accommodates every occasion.



## The Stanley Supreme

The Supreme is the perfect solution for those who love the distinctive character and superior cooking results of a Stanley cast iron range but without the hassle of installation. With state of the art specifications, the Supreme can be fitted directly into your kitchen without flues or fuss. The impressive functions of this dual fuel cooker are ideal for those who are passionate about cooking. With five gas cooking zones, a slow oven, two large ovens and a high speed ceramic grill, it combines versatility and ease-of-use with professional level specifications.



## Waterford Appliances

This beautifully designed collection of contemporary lifestyle appliances has been created with the customer in mind. Each product conforms to Aga premium quality and high build standard while delivering excellent value for money. Waterford Appliances offer a tailor-made solution for every lifestyle achieving an elegant balance between build quality, cooking performance and a design style that endures.

See the entire collection at [www.waterford-appliances.com](http://www.waterford-appliances.com)

### Stanley cookbook



Cooks love their Stanley! To help you get to know your Stanley, we have produced this cookbook containing many recipes that are ideally suited to the exceptional qualities of Stanley Range cookers.

### Stanley cleaners



We recommend the use of Stanley enamel cleaner on all Stanley enamel products. The cleaners have been specially formulated to clean and maintain the enamel finish.

### Stanley cookware



This 5 piece range of Stanley cast iron cookware has been specifically designed to optimise range cooking performance – bringing out the true flavour of your food.

See the entire range at [www.waterfordstanley.com](http://www.waterfordstanley.com) or [www.waterford-appliances.com](http://www.waterford-appliances.com)

# Stanley stoves are approved by the following



HETAS is the official body recognised by Government to approve solid fuel domestic heating appliances, fuels and services. Established in 1936, HETAS Ltd. is the official testing and approval body for the domestic solid fuel industry. HETAS Ltd. approves and gives the three tick logo mark of quality assurance to solid fuels and solid fuel stoves.



All our gas stoves carry the CE mark. This means that they comply with the essential requirements of the relevant European health, safety and environmental protection legislation.



The external castings on Stanley solid fuel stoves are covered by warranty for up to 5 years. Ceramic glass is covered against thermal breakage for 3 years. Refractory materials, rope seals, glass seals, cement seals, the surface finish on matt black models, grates and fire bars are covered under a standard 1 year warranty.\*

\*Terms and conditions apply

## Waterford Stanley

### Waterford Stanley Ltd.,

Unit 210, Waterford Industrial Estate,  
Cork Rd., Waterford

#### Republic of Ireland

General Number: 051 302 300

Sales: 051 302 302

Service: 051 302 333

Locall: 1850 302 502

Fax: 051 302 315

#### Northern Ireland

Sales: 028 8772 2195

Service: 028 8772 2195

[www.waterfordstanley.com](http://www.waterfordstanley.com)

[www.stanleystoves.com](http://www.stanleystoves.com)

YOUR STANLEY STOCKIST:

€2

